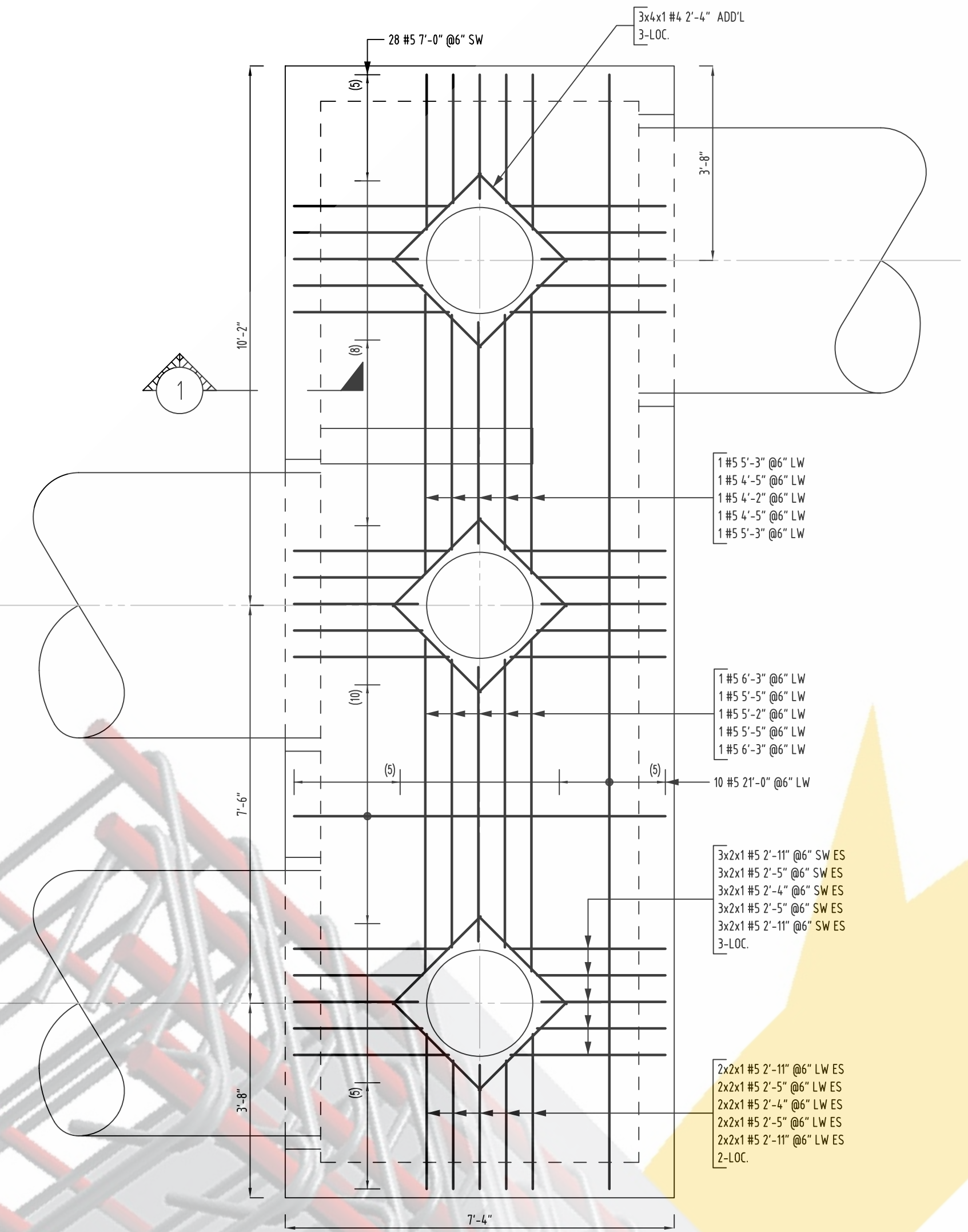
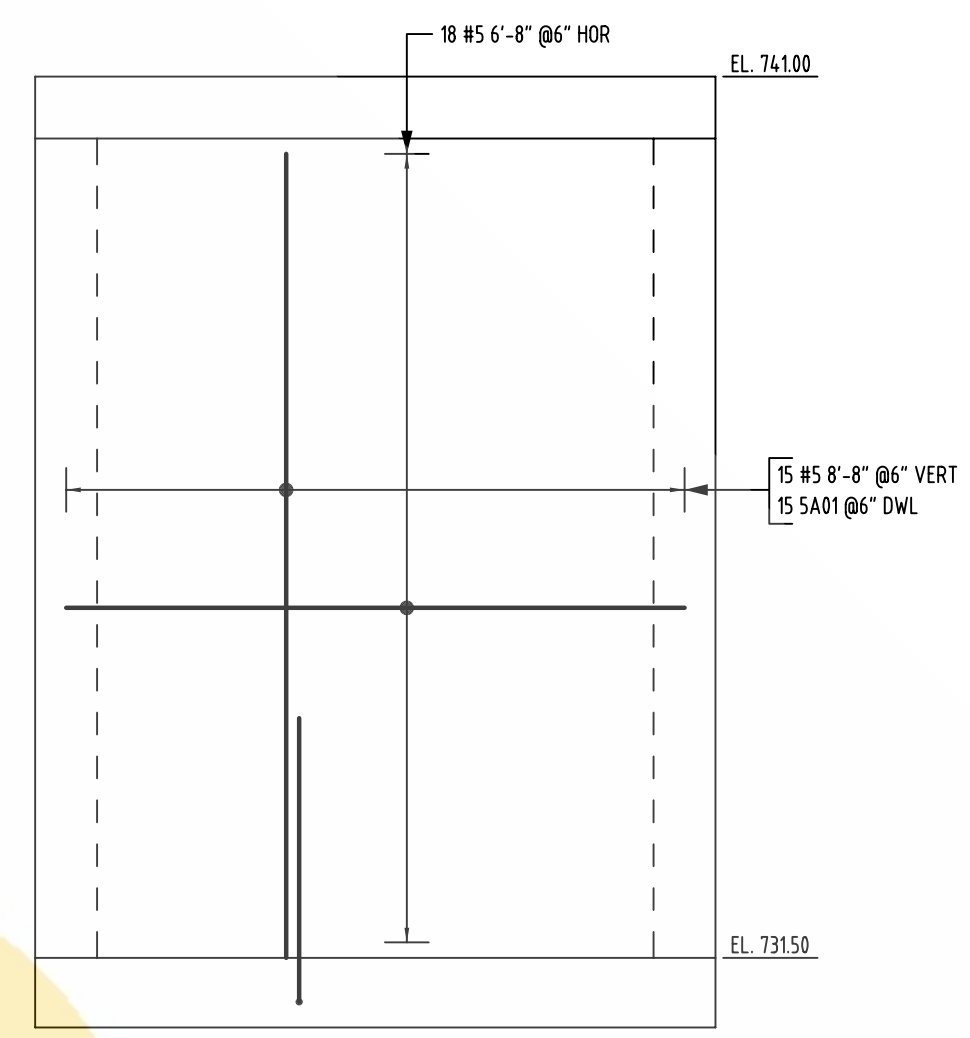


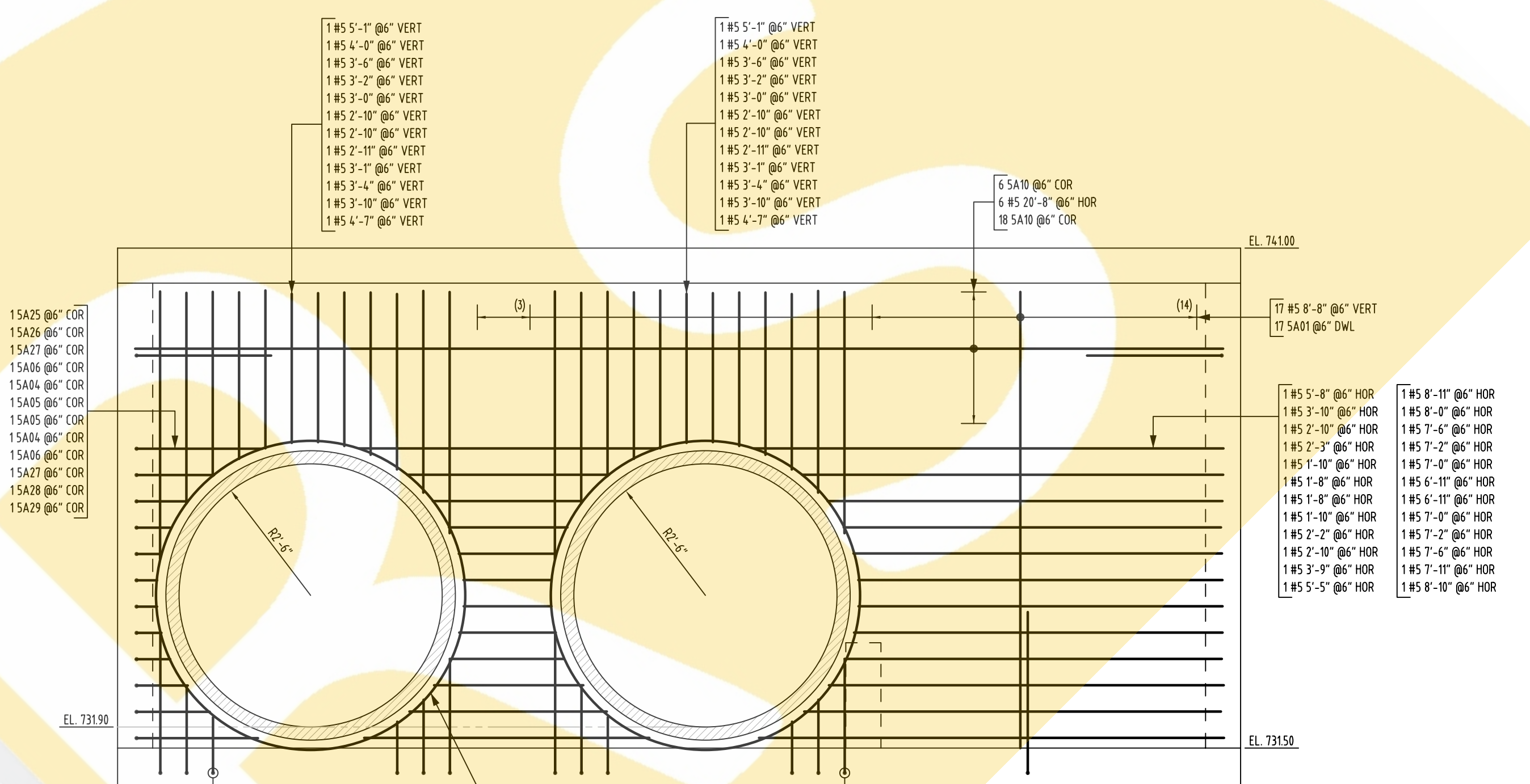
BOTTOM SLAB
W2 - OUTLET REBAR LAYOUT
 SCALE: 1/2"=1'-0"
 SDR: 20-CG-301



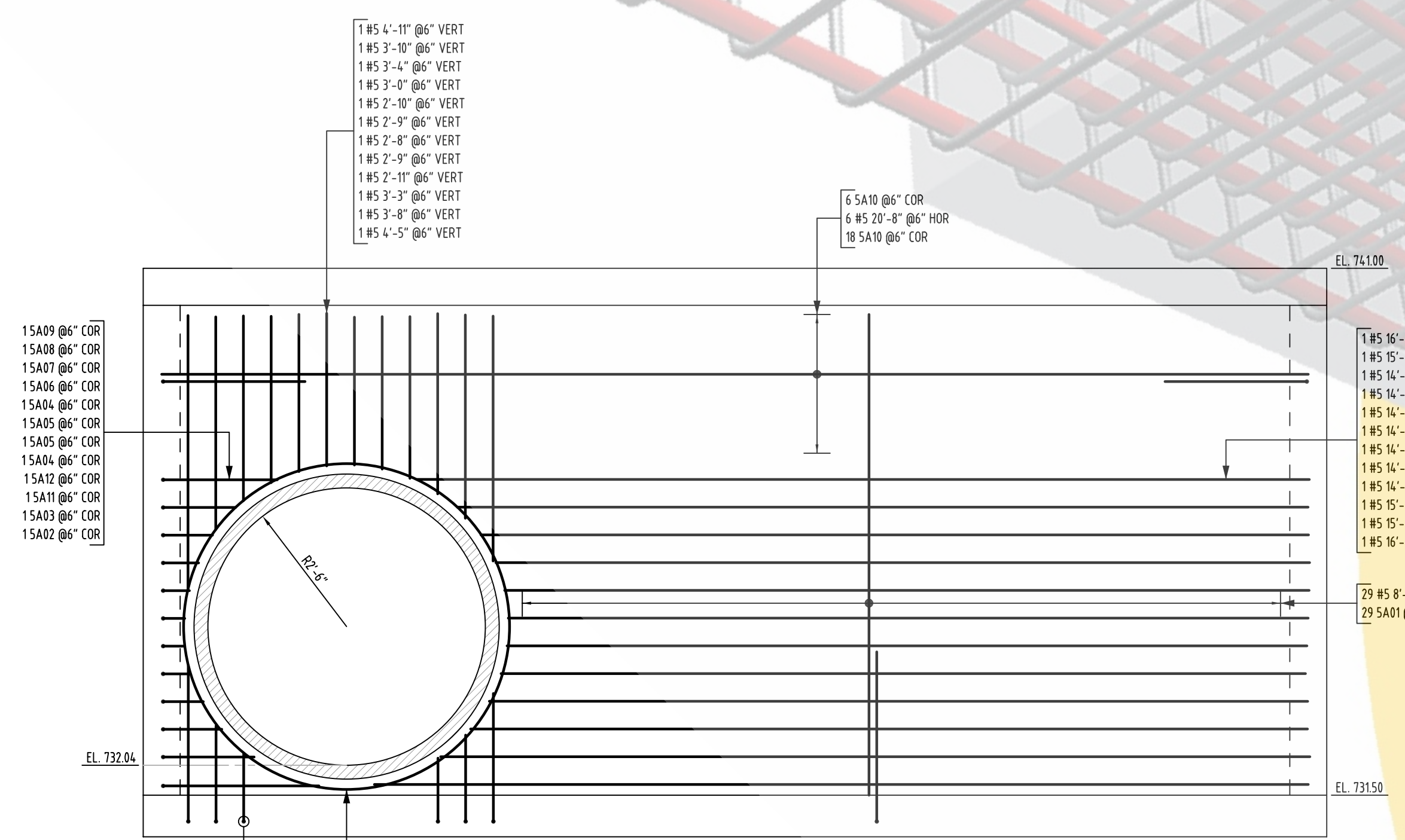
TOP SLAB
W2 - OUTLET REBAR LAYOUT
 SCALE: 1/2"=1'-0"
 SDR: 20-CG-301



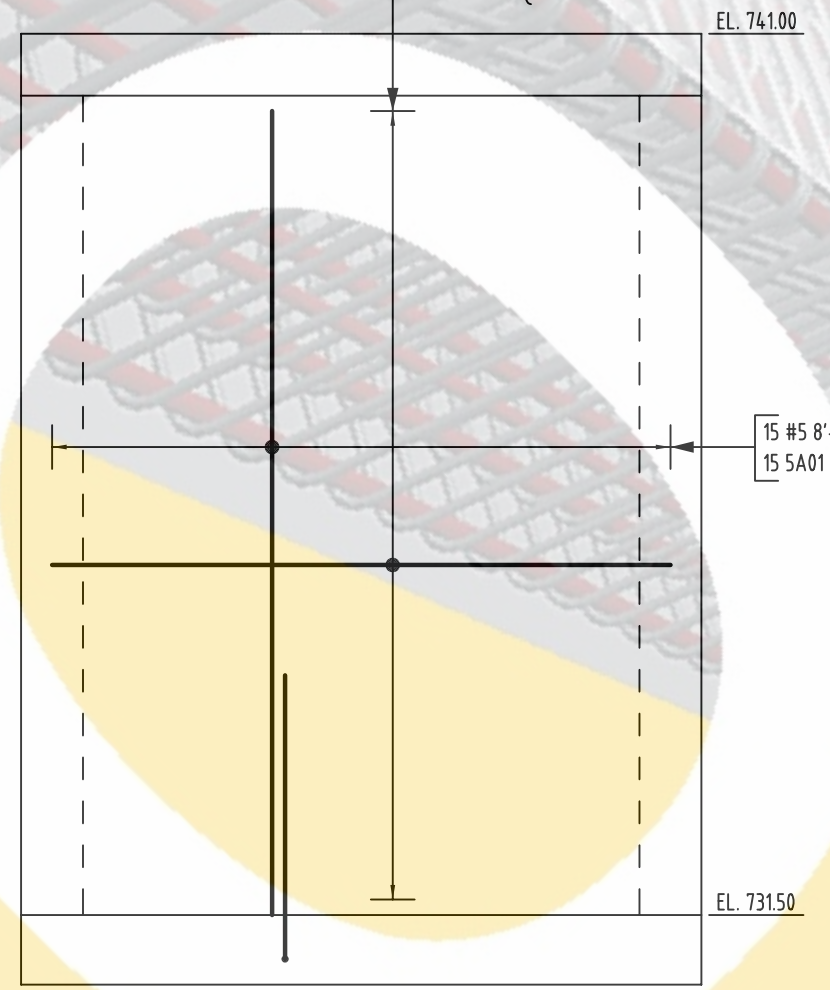
ELEVATION A
 SCALE: 1/2"=1'-0"
 SDR: 20-CG-301



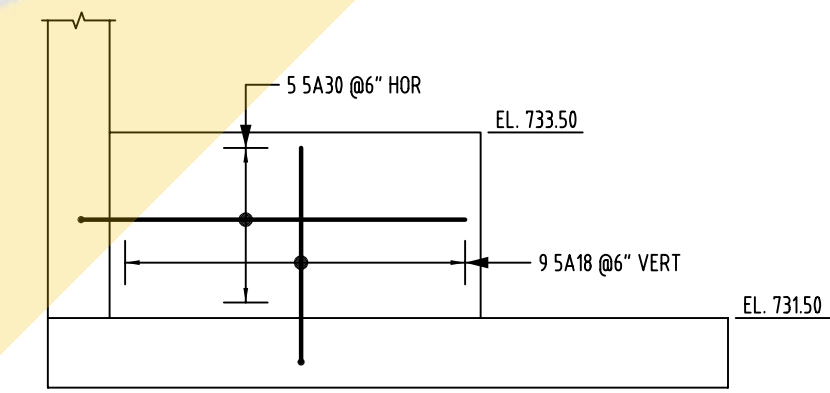
ELEVATION B
 SCALE: 1/2"=1'-0"
 SDR: 20-CG-301



ELEVATION C
 SCALE: 1/2"=1'-0"
 SDR: 20-CG-301

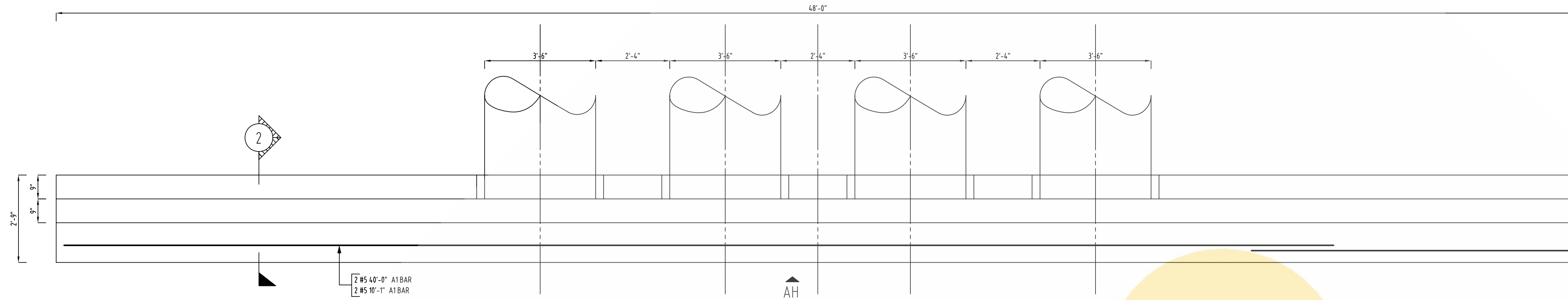


ELEVATION D
 SCALE: 1/2"=1'-0"
 SDR: 20-CG-301

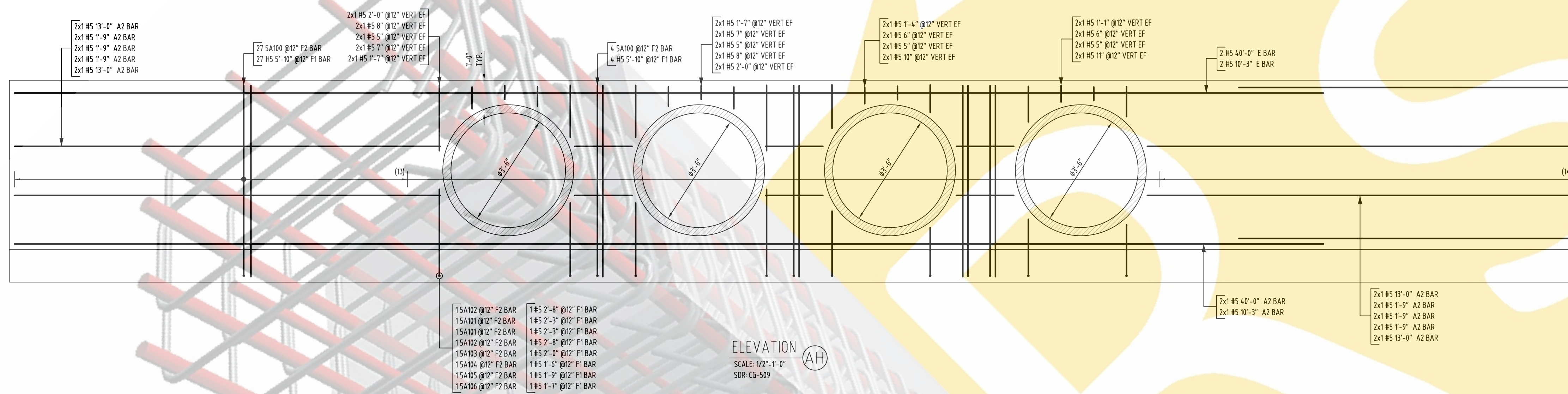


ELEVATION E
 SCALE: 1/2"=1'-0"
 SDR: 20-CG-301

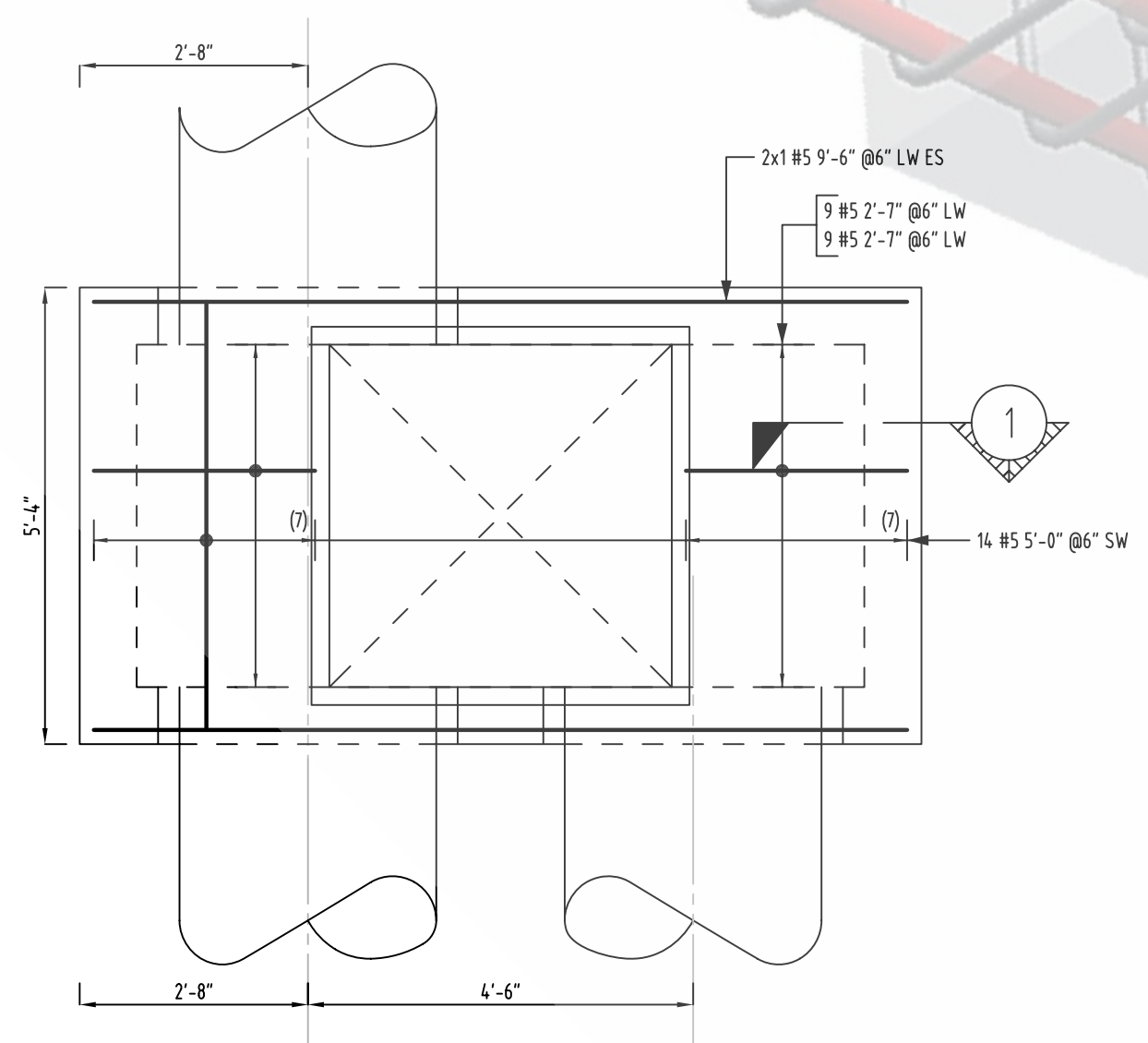
ONCE REBAR SERVICES



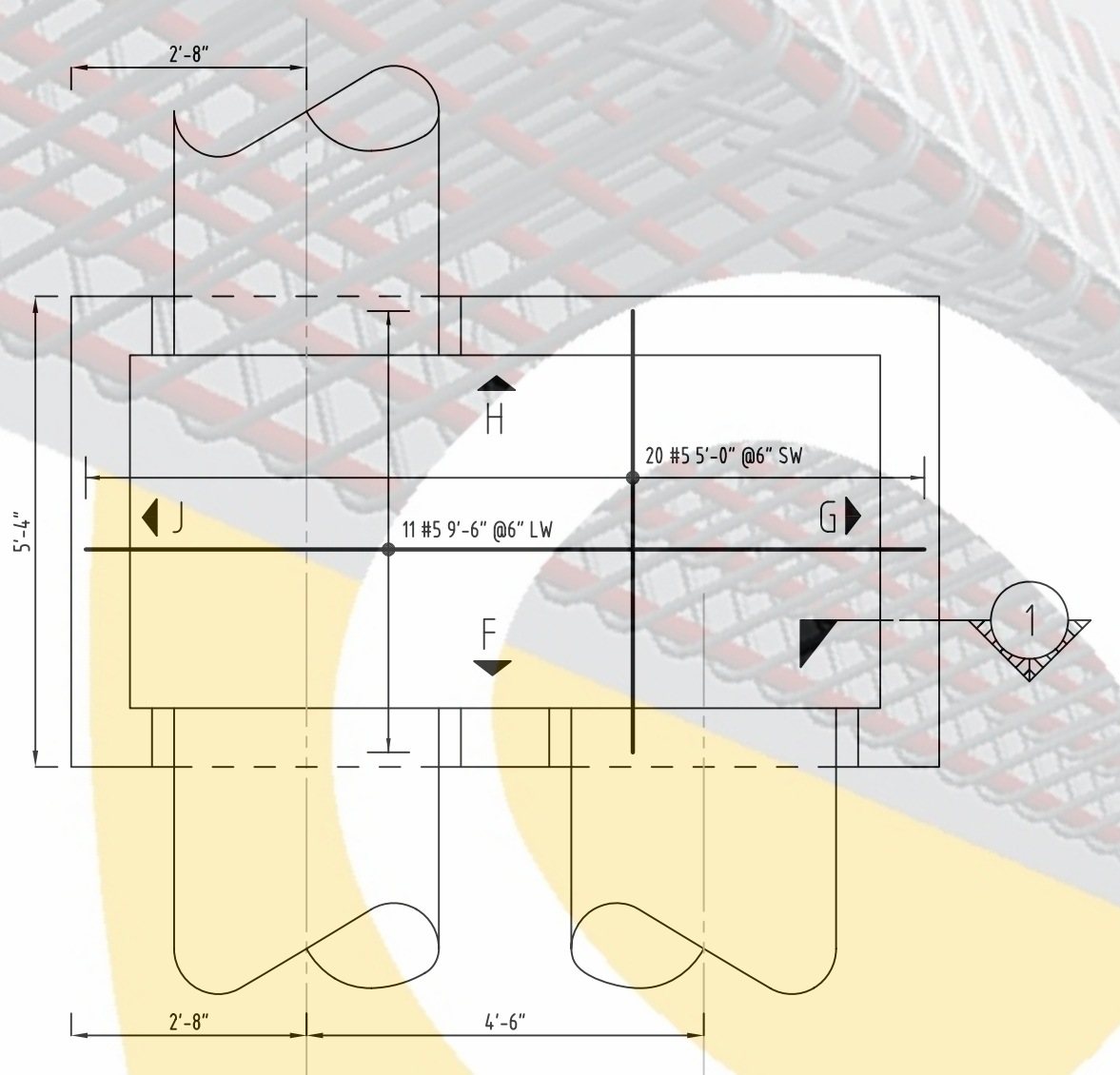
X2 - HEADWALL REBAR LAYOUT
SCALE: 1/2"=1'-0"
SDR: CG-509



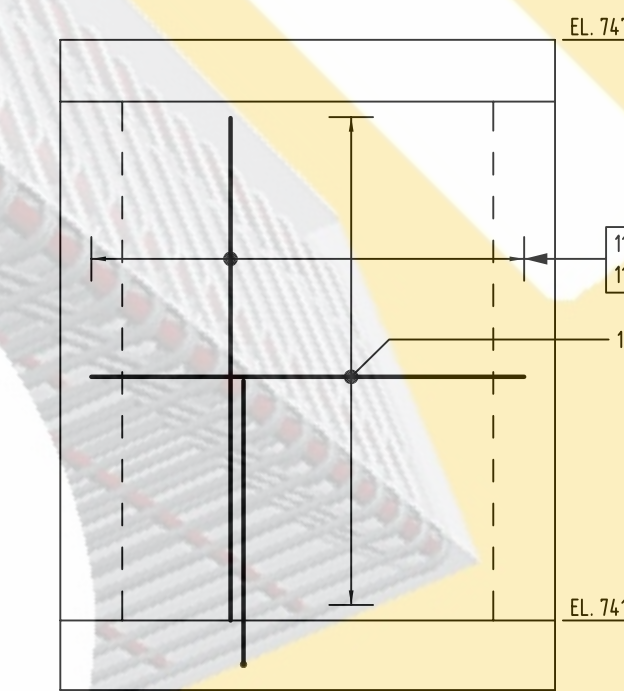
ELEVATION AH
SCALE: 1/2"=1'-0"
SDR: CG-509



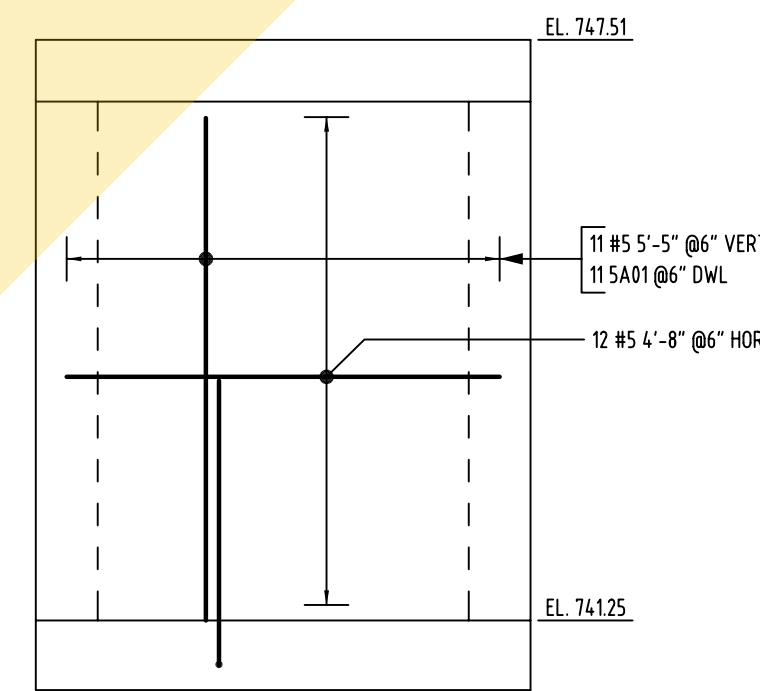
AA2 - JUNCTION REBAR LAYOUT
SCALE: 1/2"=1'-0"
SDR: 20-CG-301



AA2 - JUNCTION REBAR LAYOUT
SCALE: 1/2"=1'-0"
SDR: 20-CG-301

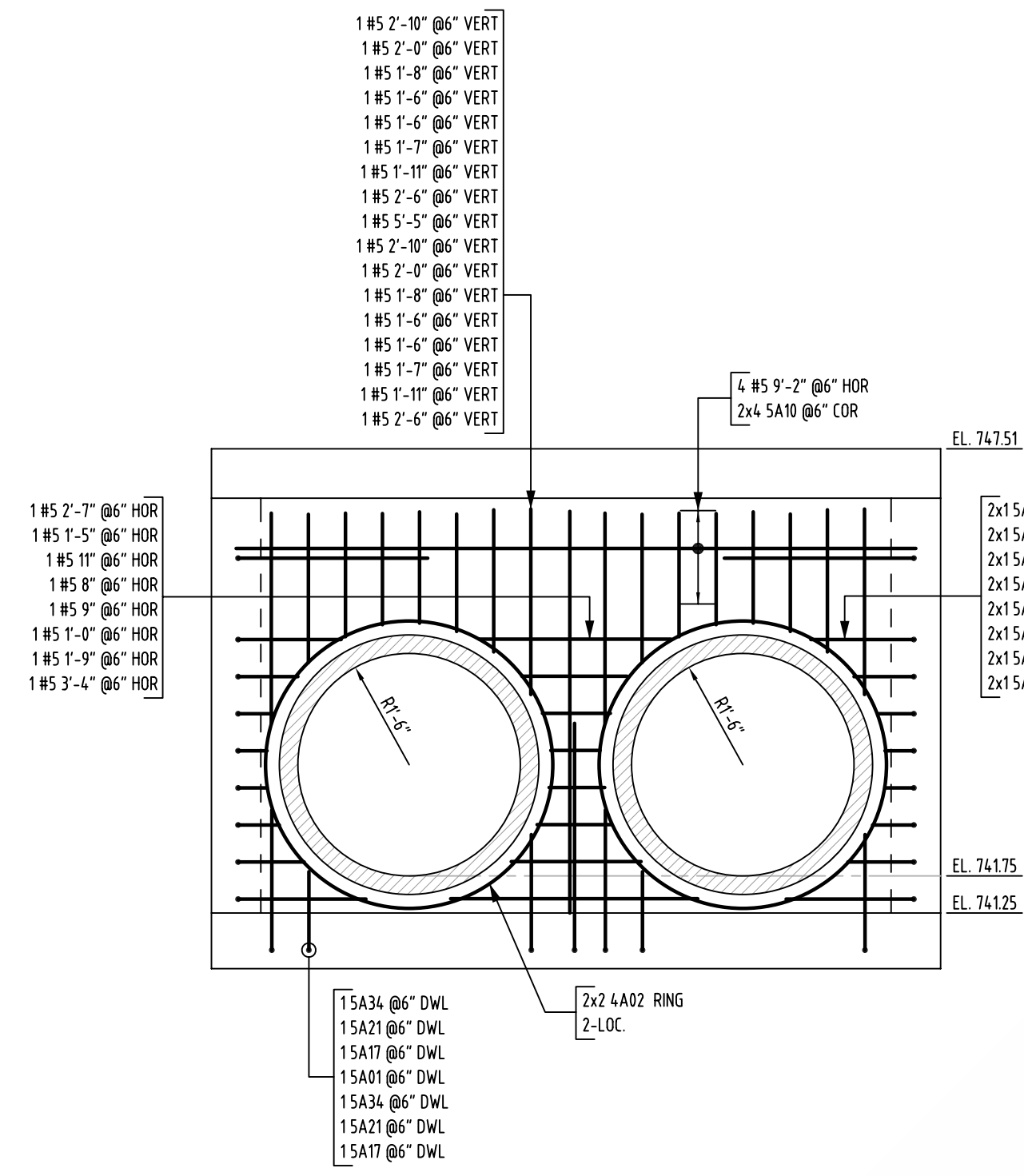


ELEVATION G
SCALE: 1/2"=1'-0"
SDR: 20-CG-301

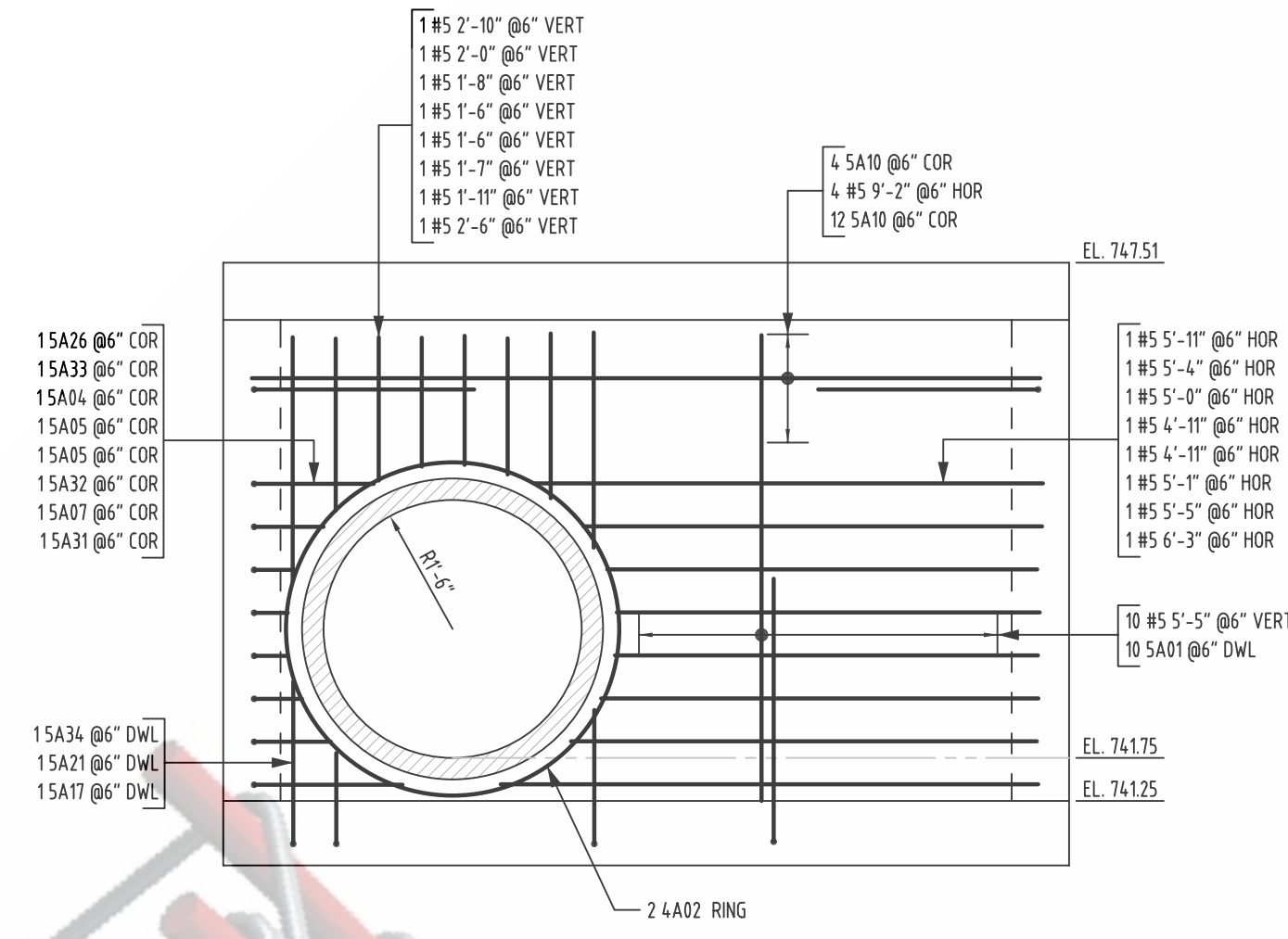


ELEVATION J
SCALE: 1/2"=1'-0"
SDR: 20-CG-301

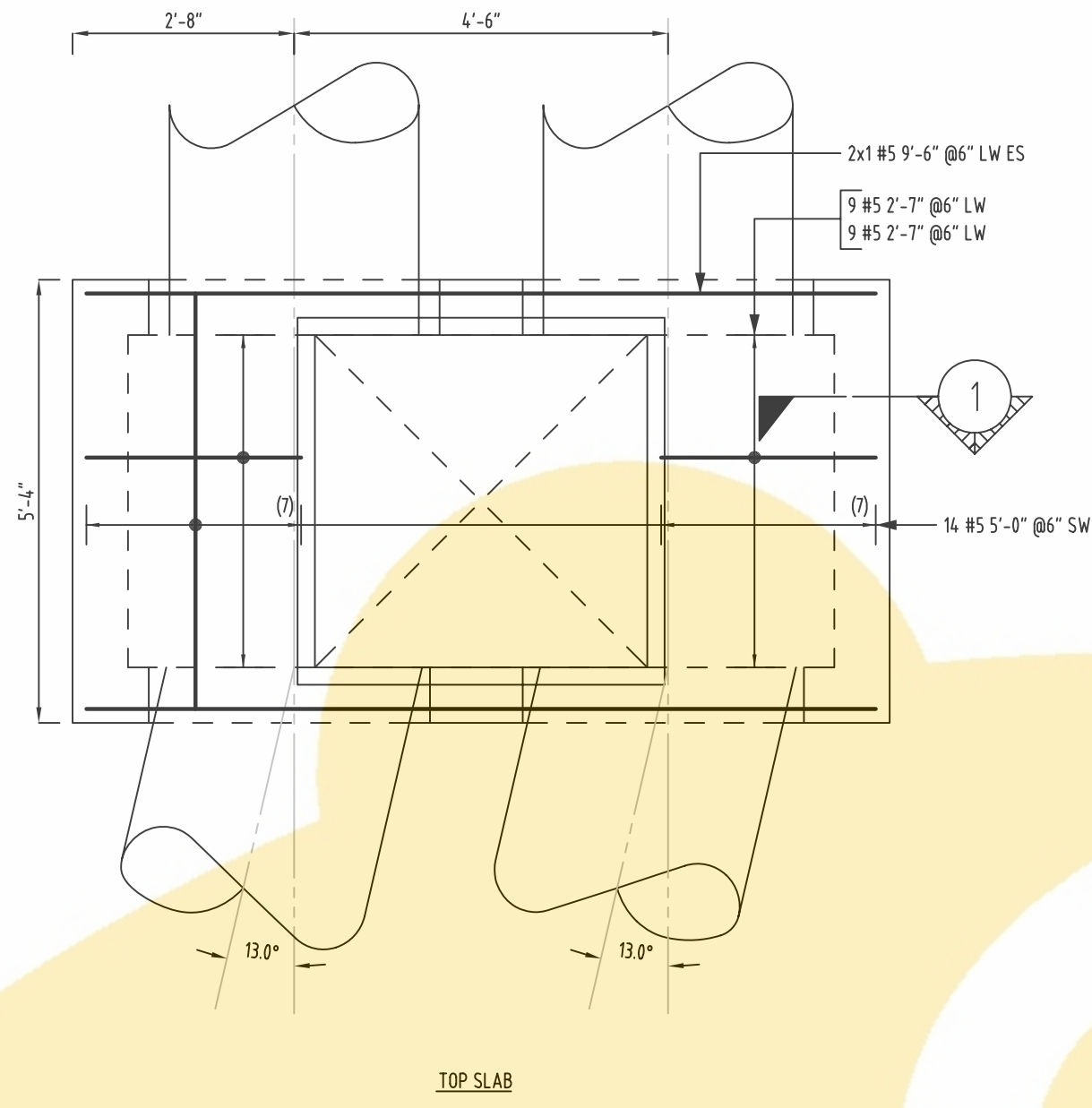
ONCE REBAR SERVICES



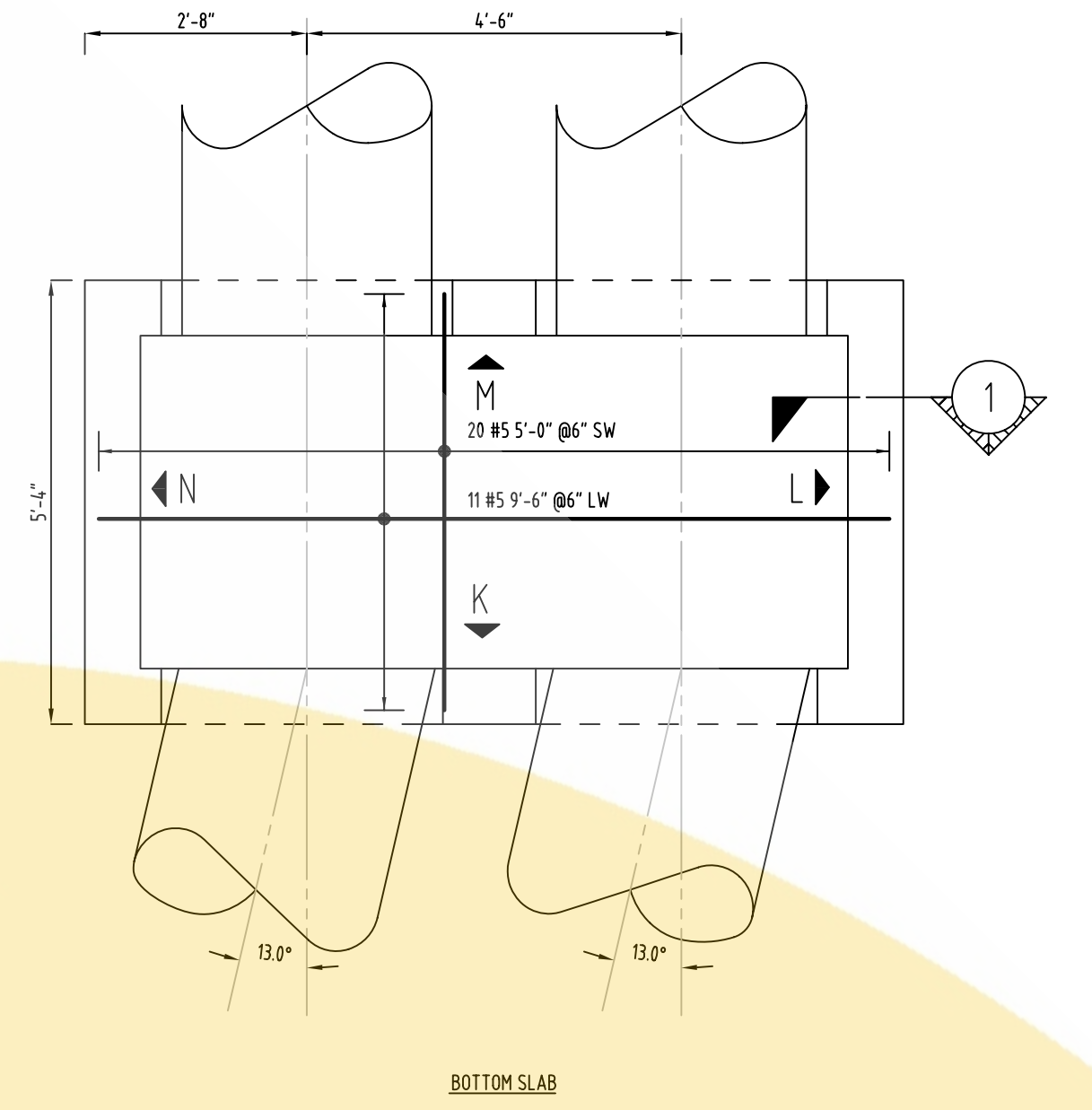
ELEVATION F
SCALE: 1/2"=1'-0"
SDR: 20-CG-301



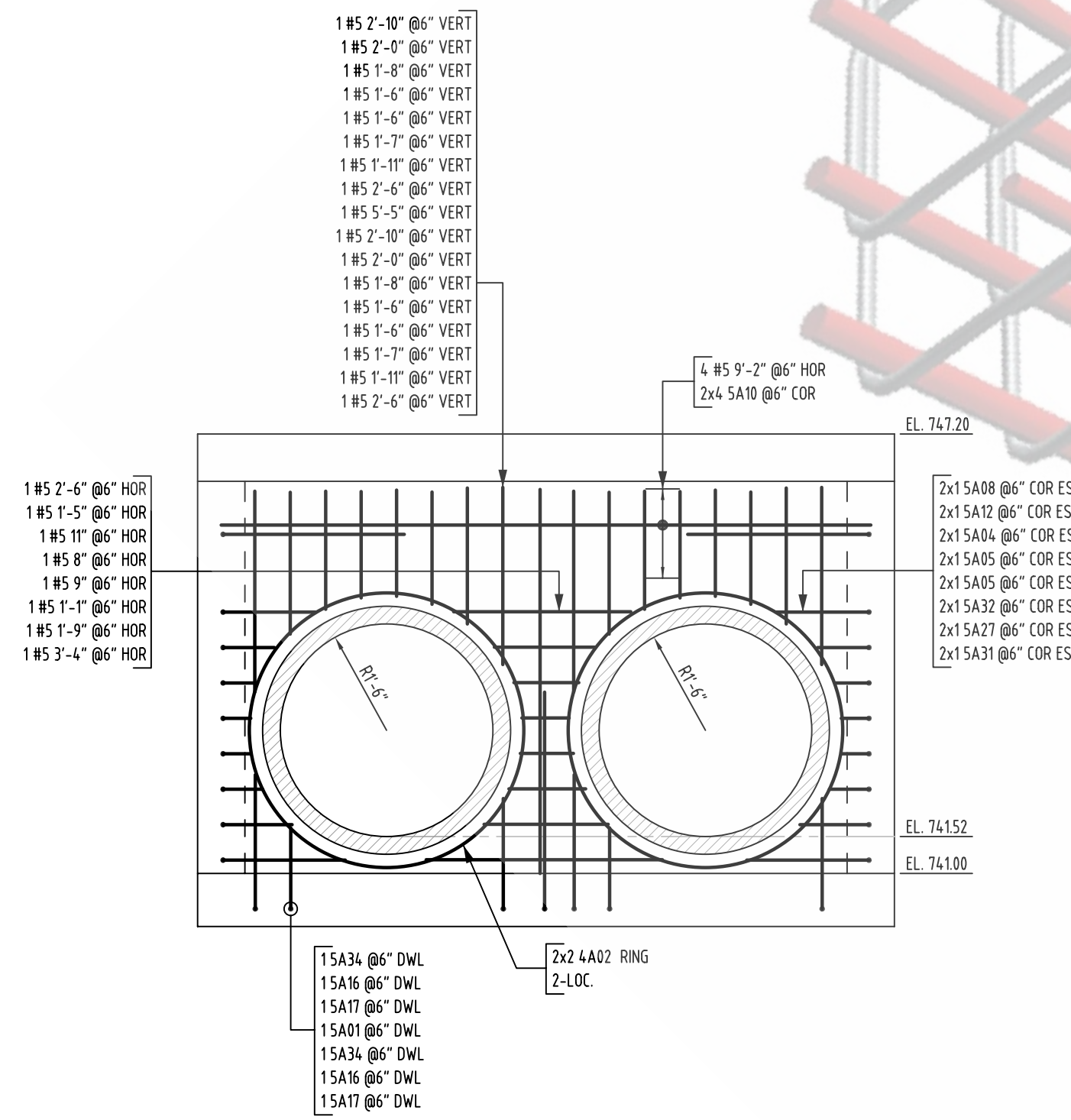
ELEVATION H
SCALE: 1/2"=1'-0"
SDR: 20-CG-301



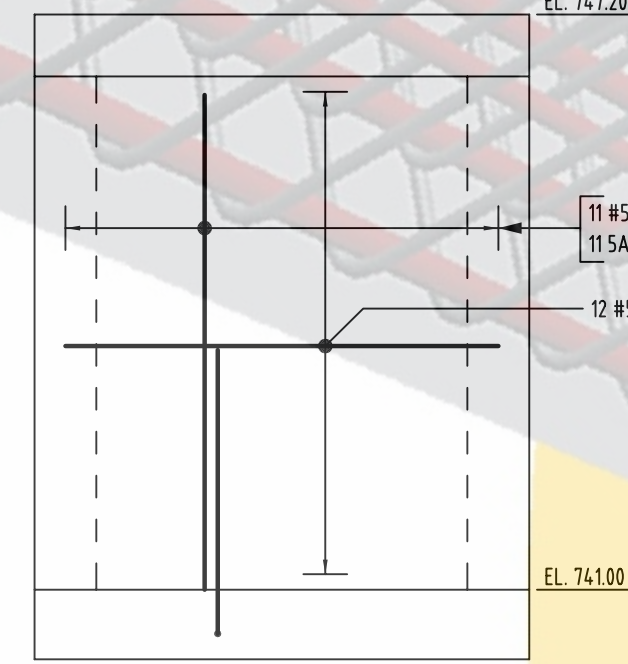
AA3 - JUNCTION REBAR LAYOUT
SCALE: 1/2"=1'-0"
SDR: 20-CG-301



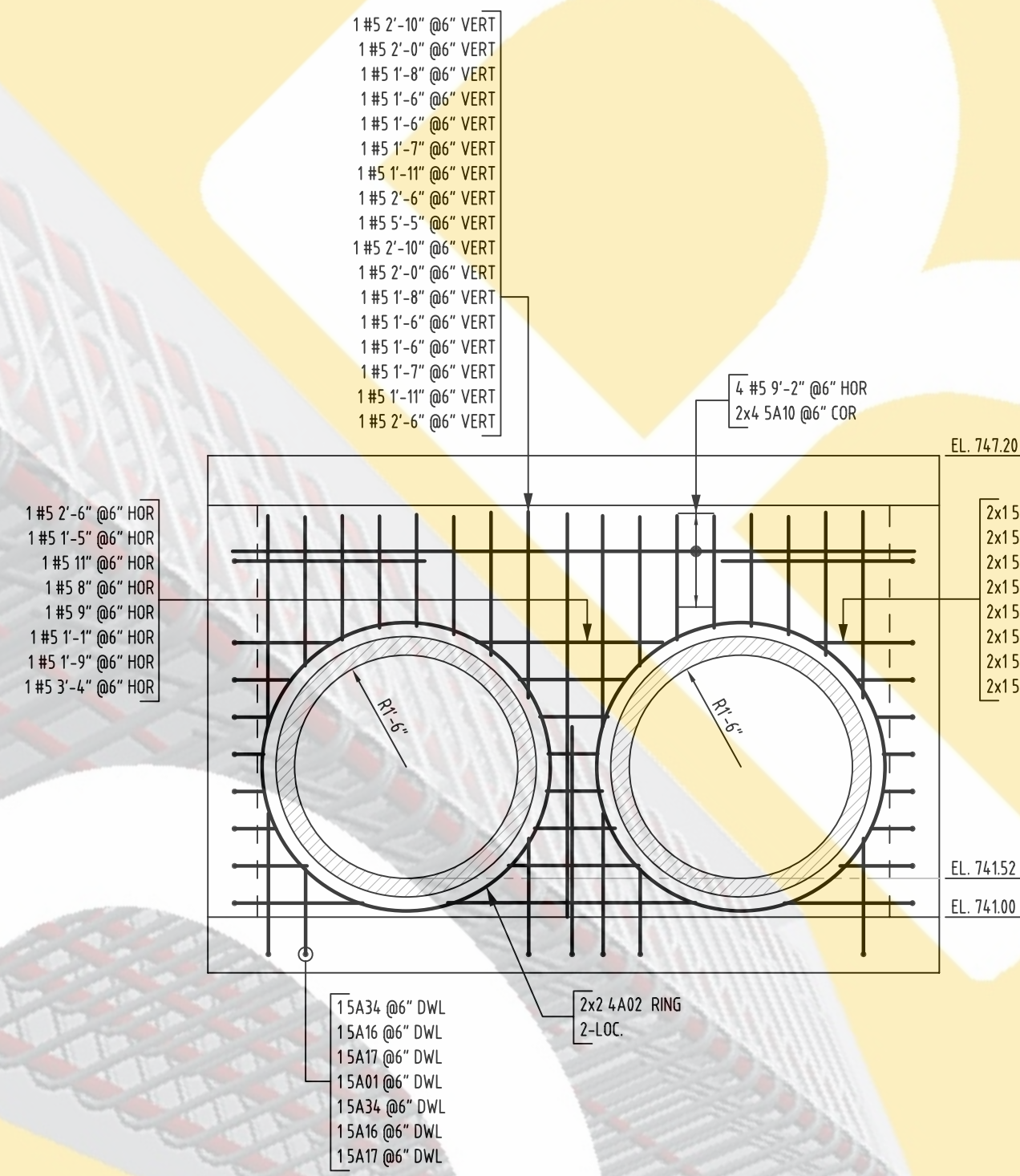
AA3 - JUNCTION REBAR LAYOUT
SCALE: 1/2"=1'-0"
SDR: 20-CG-301



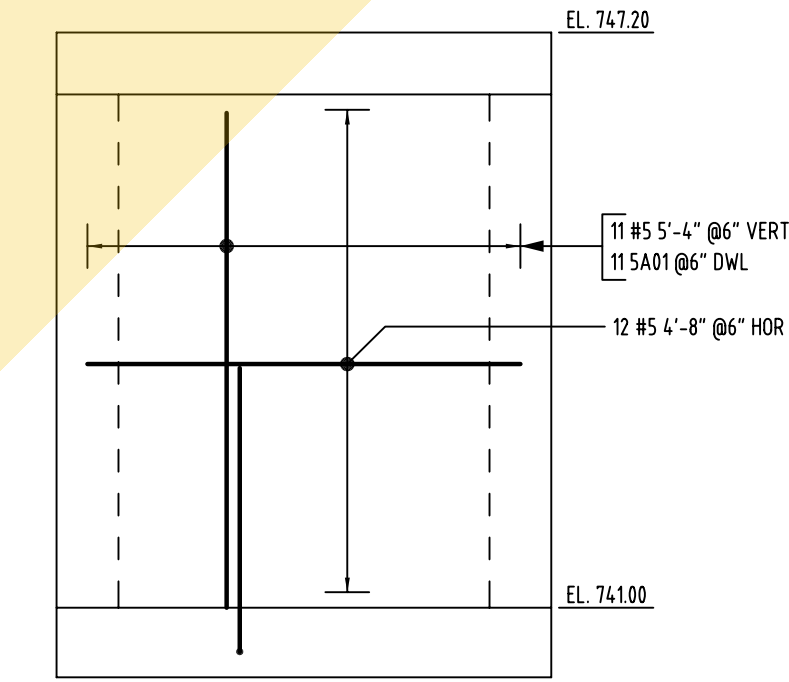
ELEVATION K
SCALE: 1/2"=1'-0"
SDR: 20-CG-301



ELEVATION L
SCALE: 1/2"=1'-0"
SDR: 20-CG-301

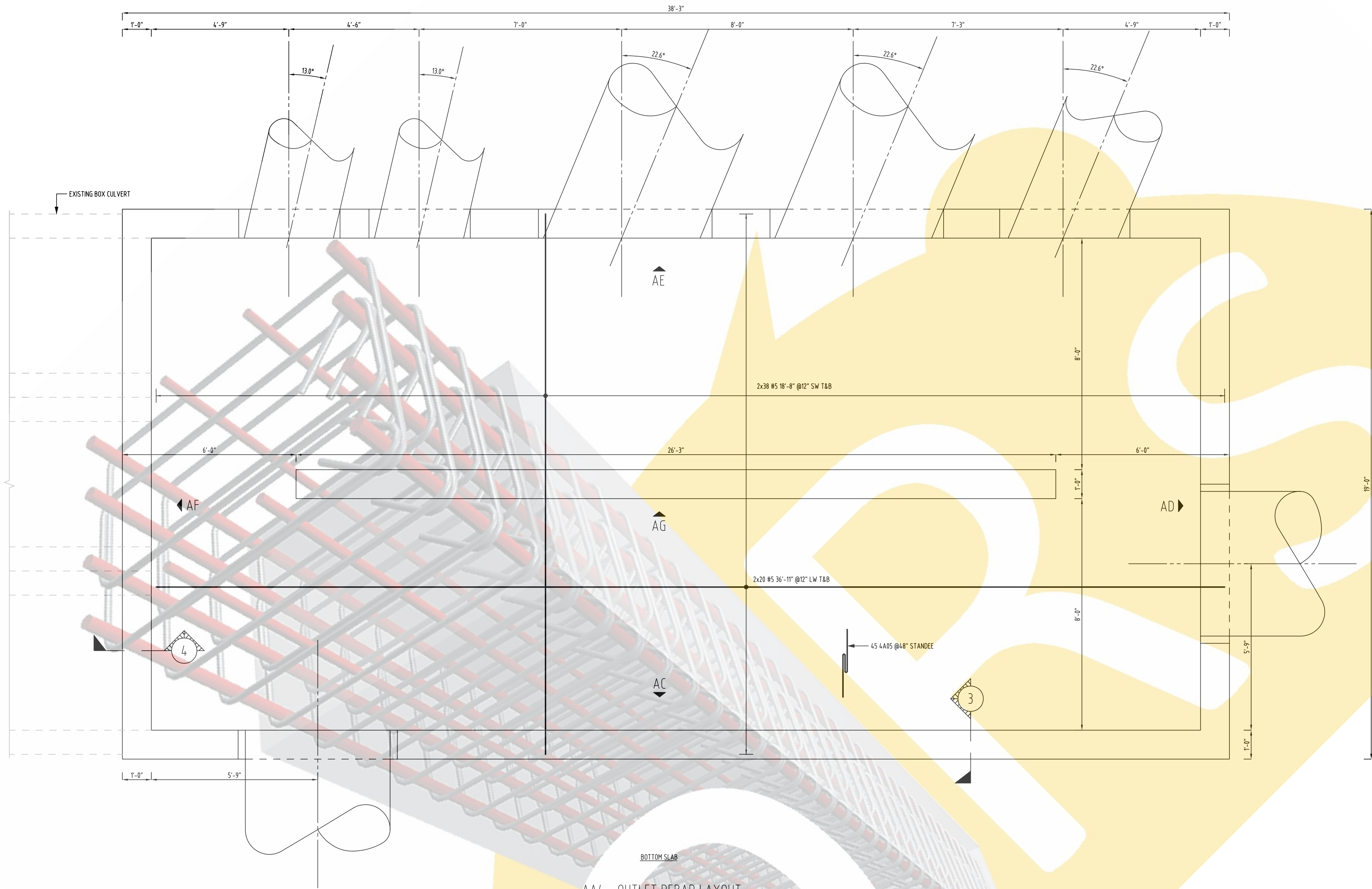


ELEVATION M
SCALE: 1/2"=1'-0"
SDR: 20-CG-301



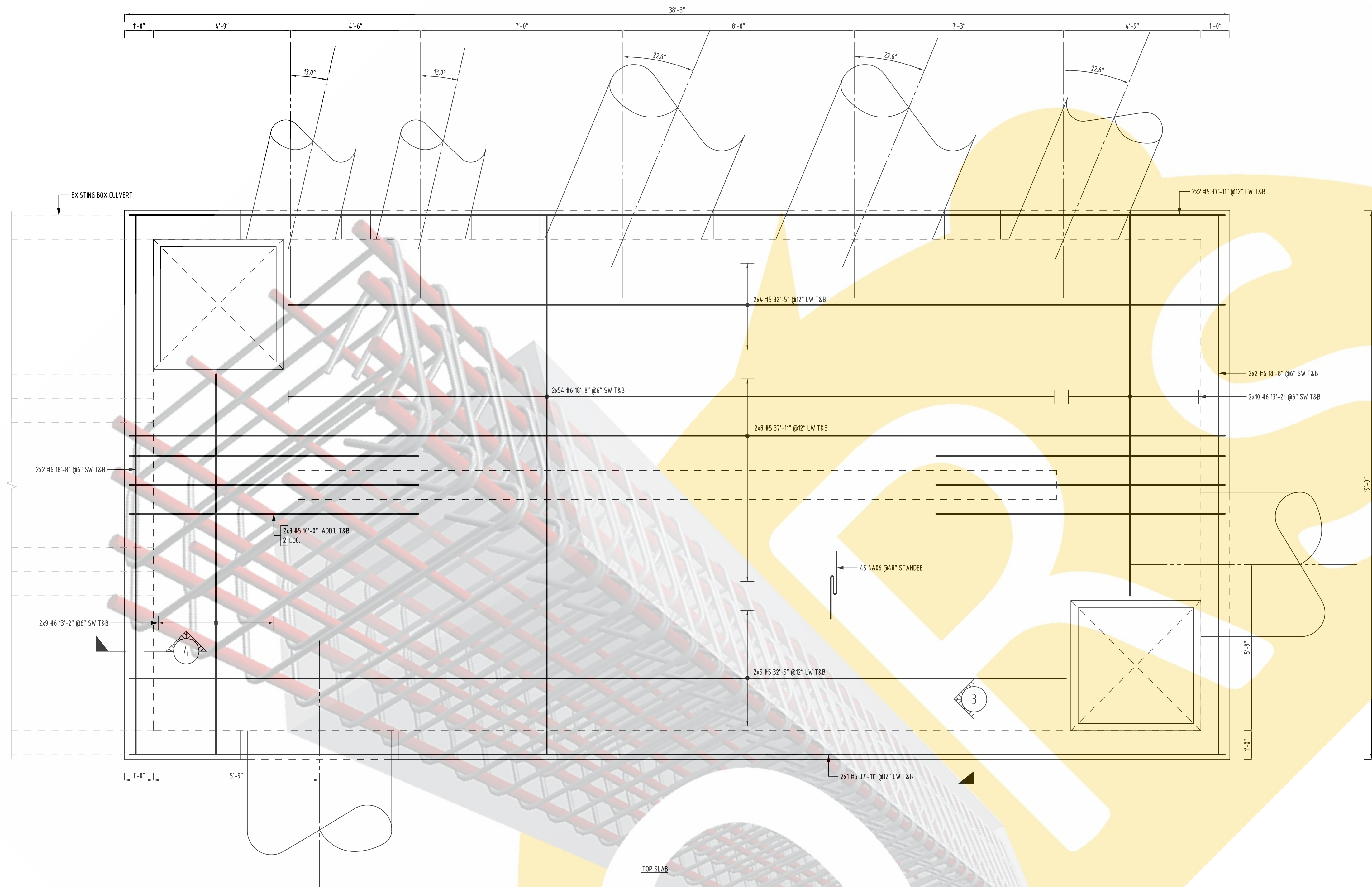
ELEVATION N
SCALE: 1/2"=1'-0"
SDR: 20-CG-301

ONCE REBAR SERVICES

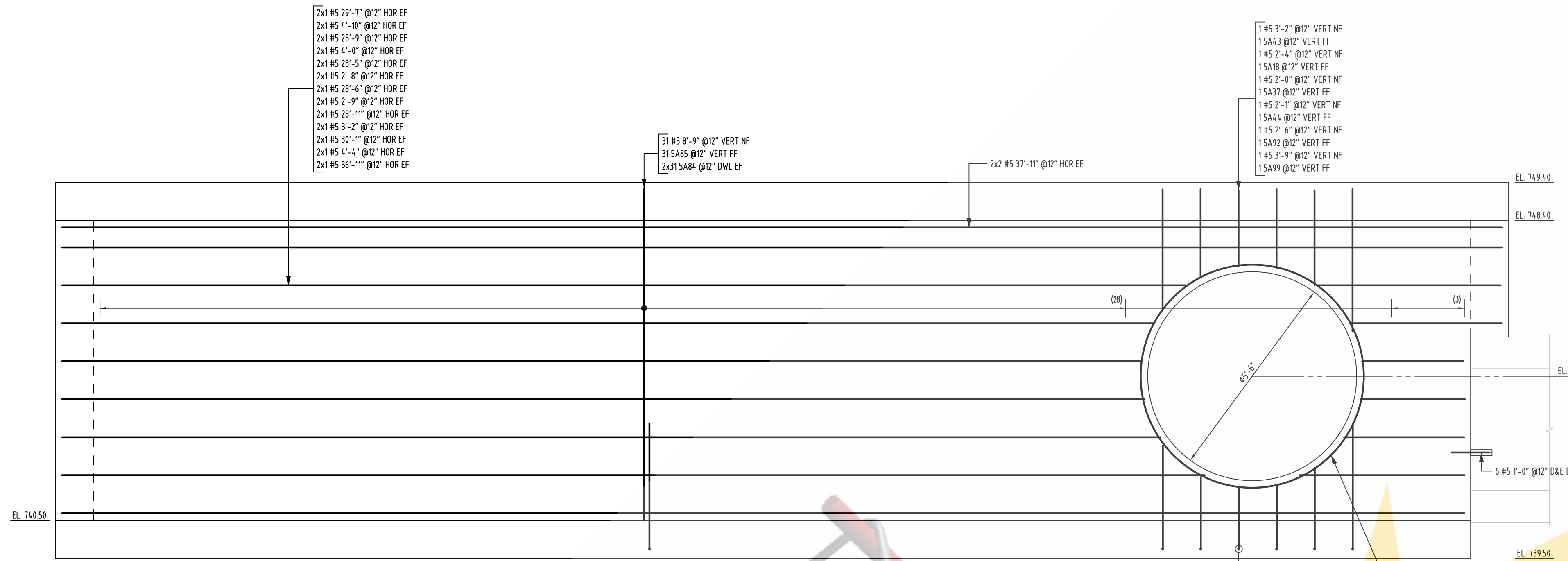


BOTTOM SLAB
 AA4 - OUTLET REBAR LAYOUT
 SCALE: 1/2"=1'-0"
 SDR: 20-C6-303

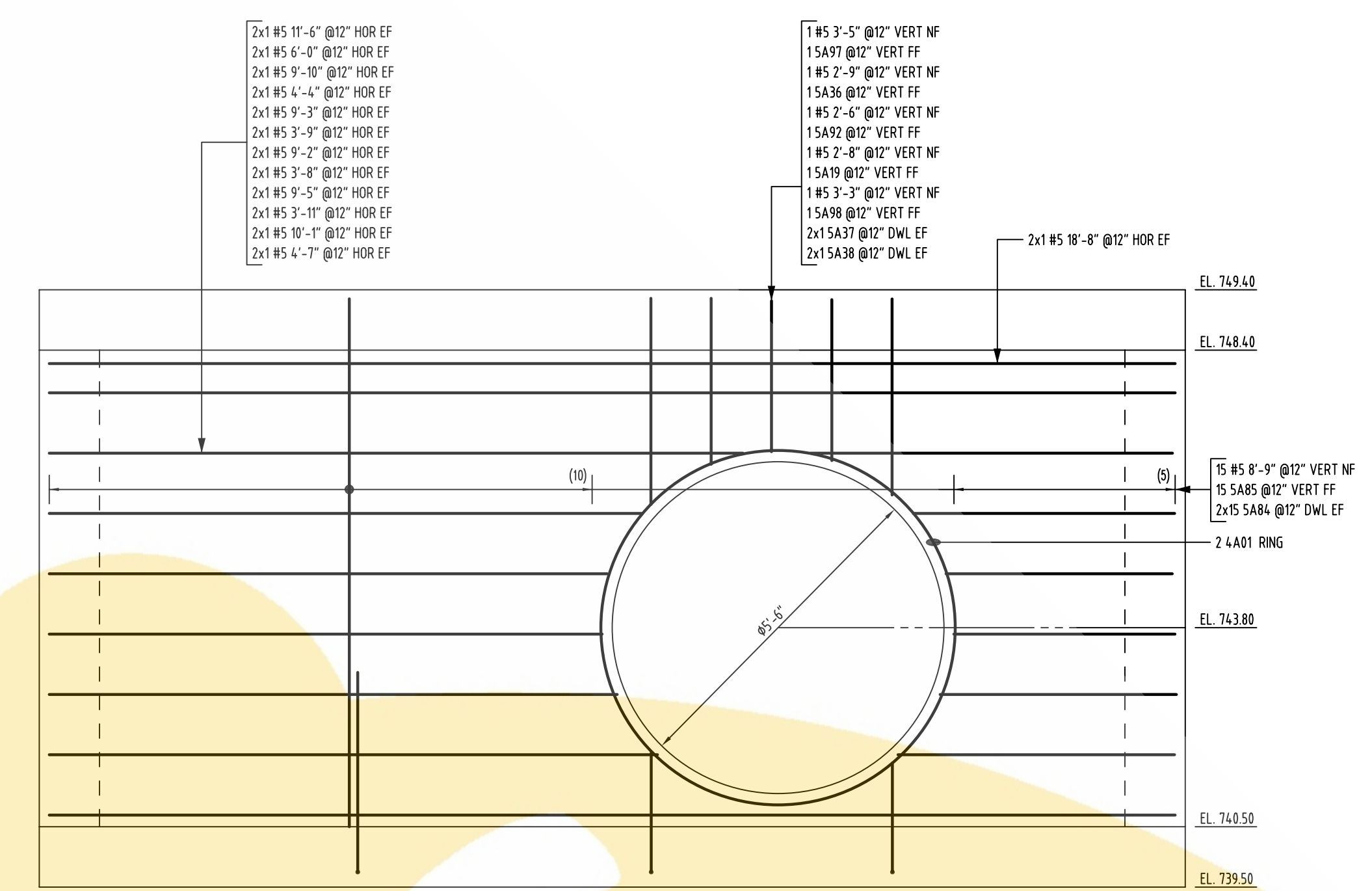
ONCE REBAR SERVICES



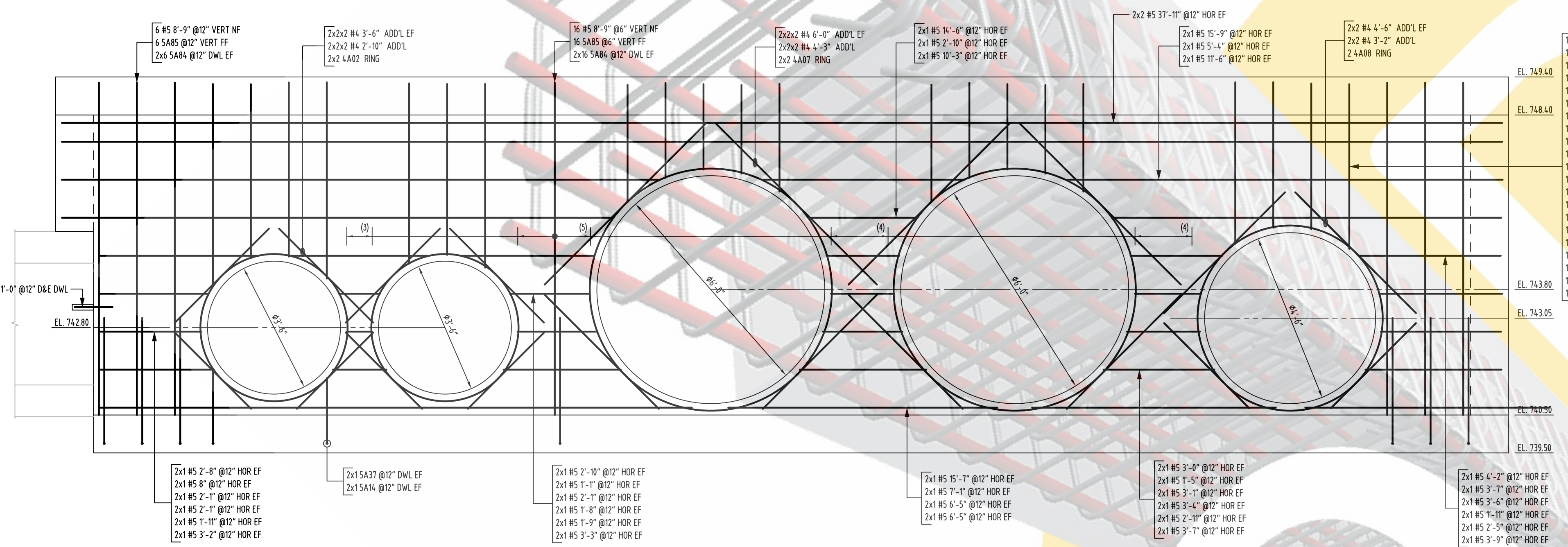
AA4 - OUTLET REBAR LAYOUT
 SCALE: 1/2"=1'-0"
 SDR: 20-G-303



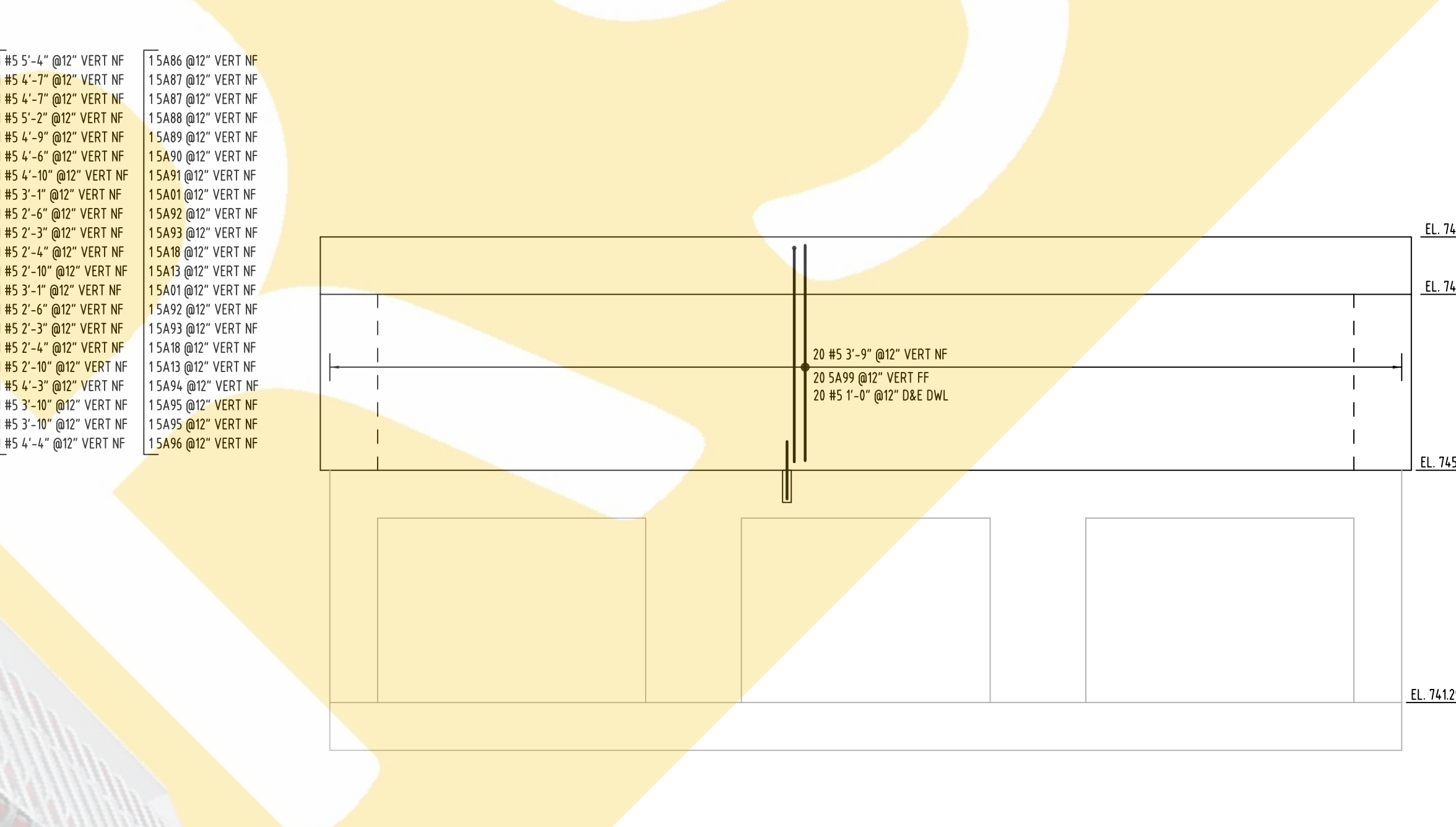
ELEVATION AC
SCALE: 1/2"=1'-0"
SDR: 20-CG-304



ELEVATION AD
SCALE: 1/2"=1'-0"
SDR: 20-CG-304

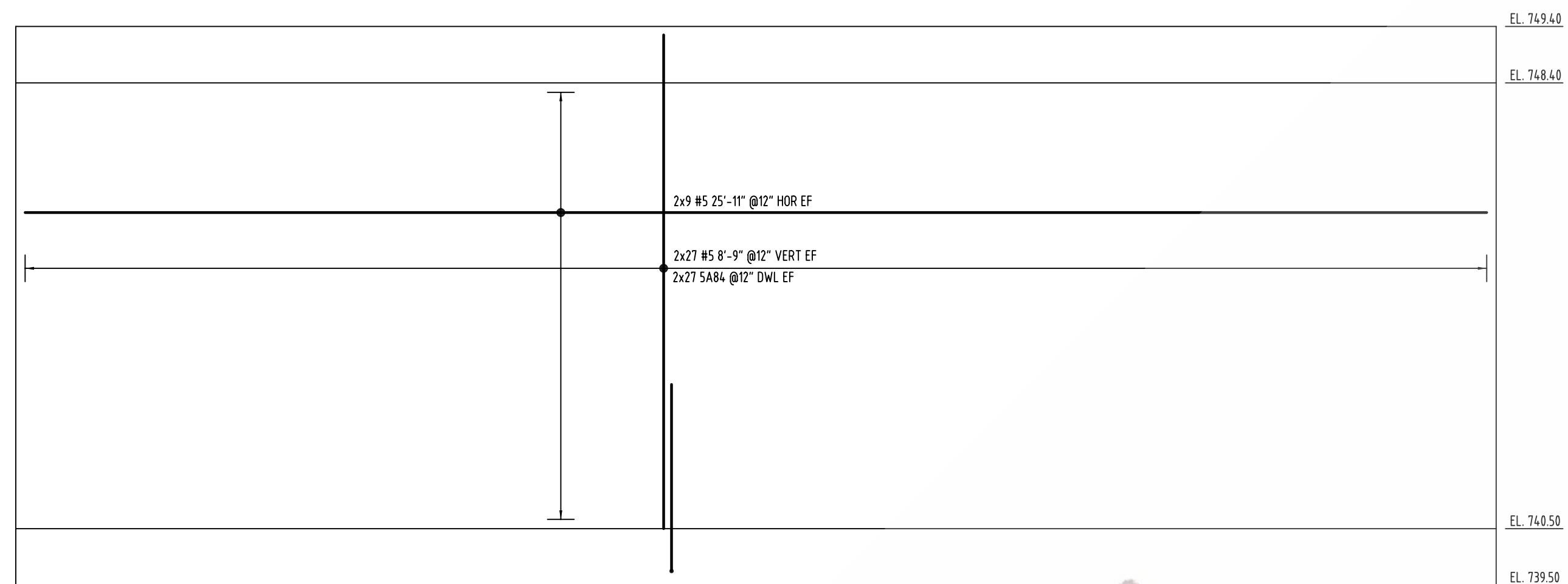


ELEVATION AE
SCALE: 1/2"=1'-0"
SDR: 20-CG-304

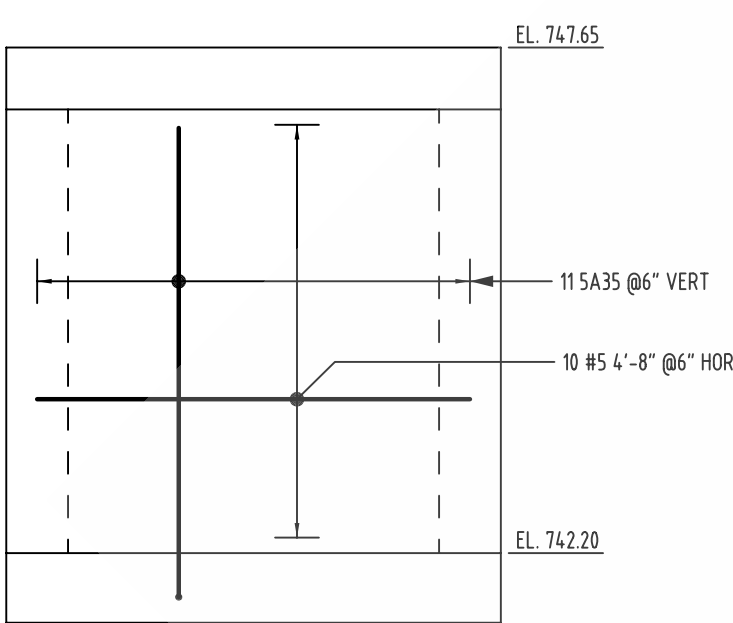


ELEVATION AF
SCALE: 1/2"=1'-0"
SDR: 20-CG-304

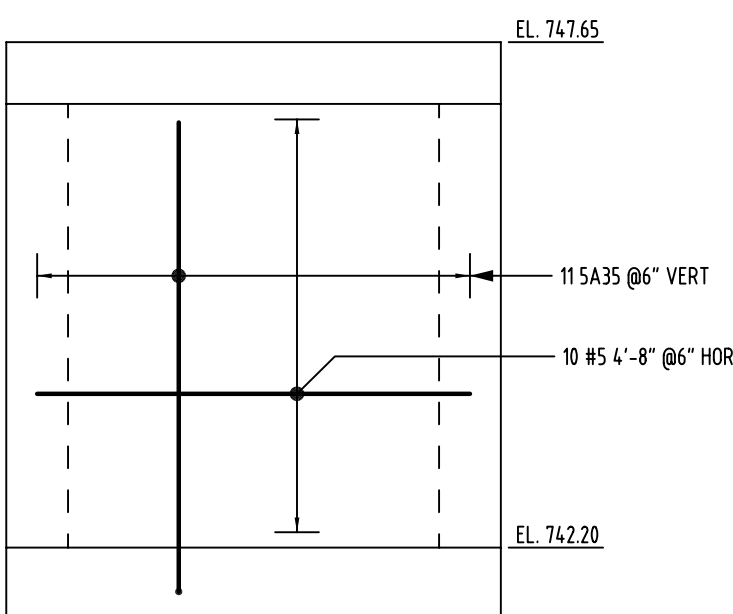
ONCE REBAR SERVICES



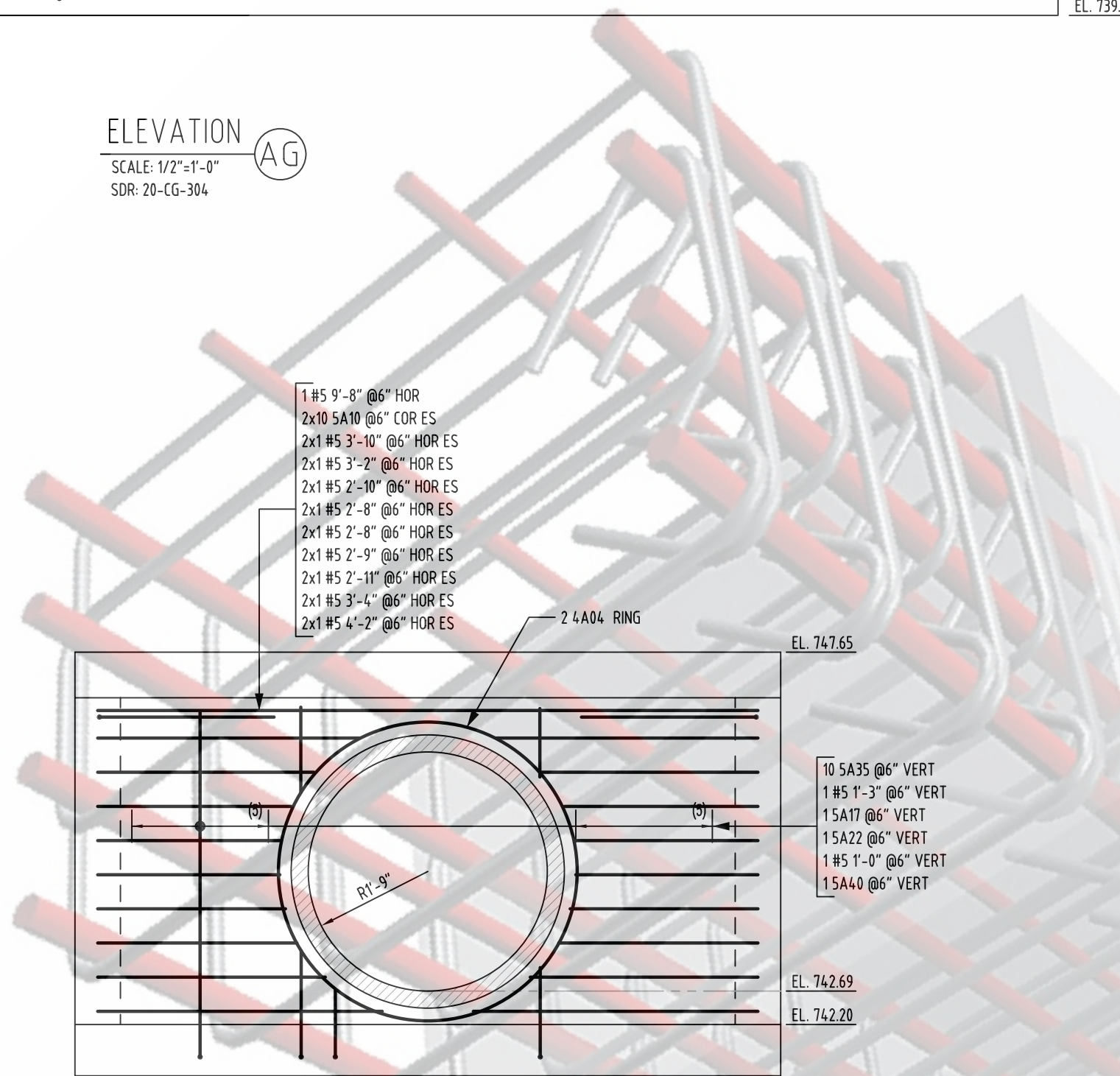
ELEVATION **AG**
SCALE: 1/2"=1'-0"
SDR: 20-CG-304



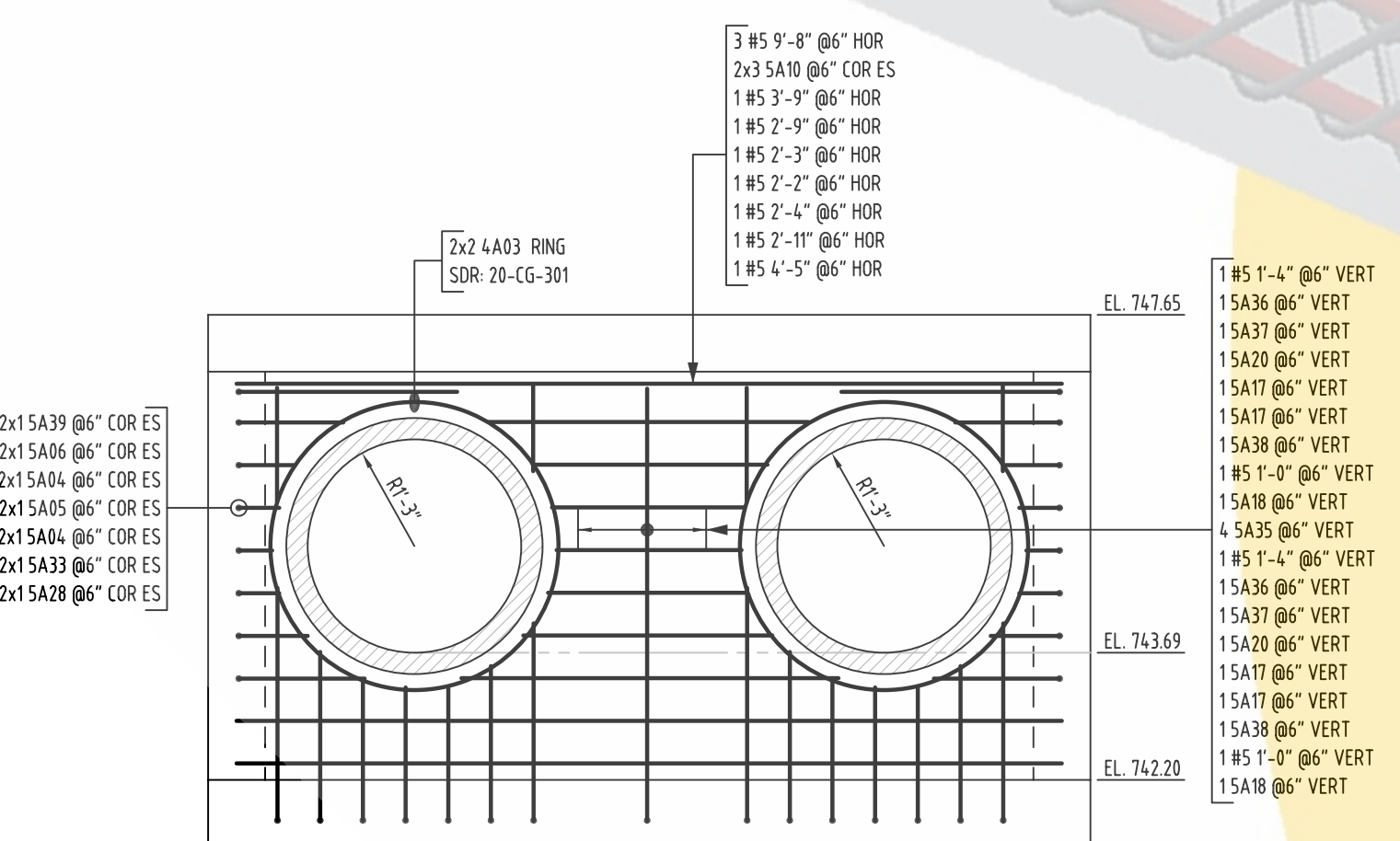
ELEVATION **P**
SCALE: 1/2"=1'-0"
SDR: 20-CG-301



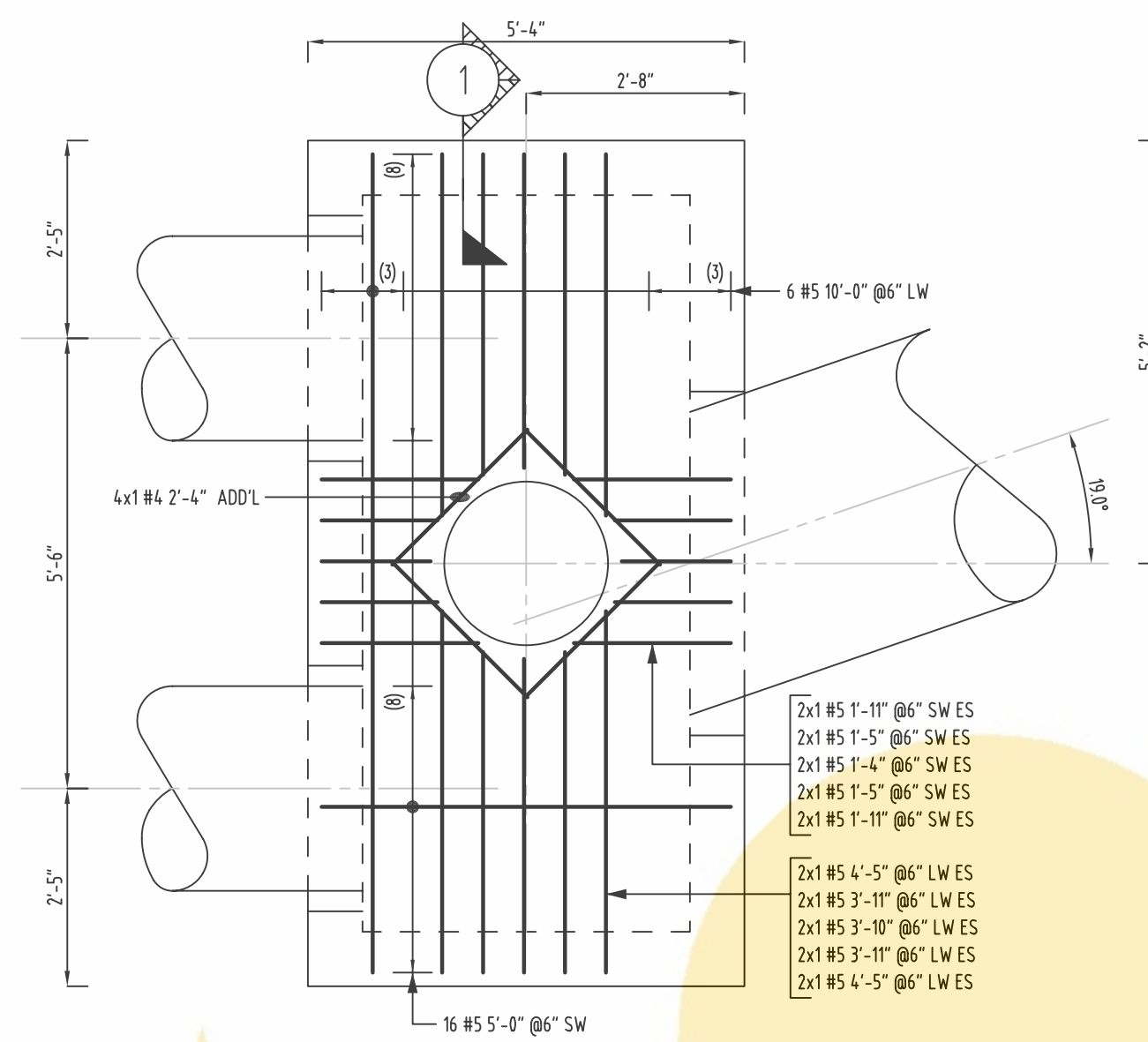
ELEVATION **R**
SCALE: 1/2"=1'-0"
SDR: 20-CG-301



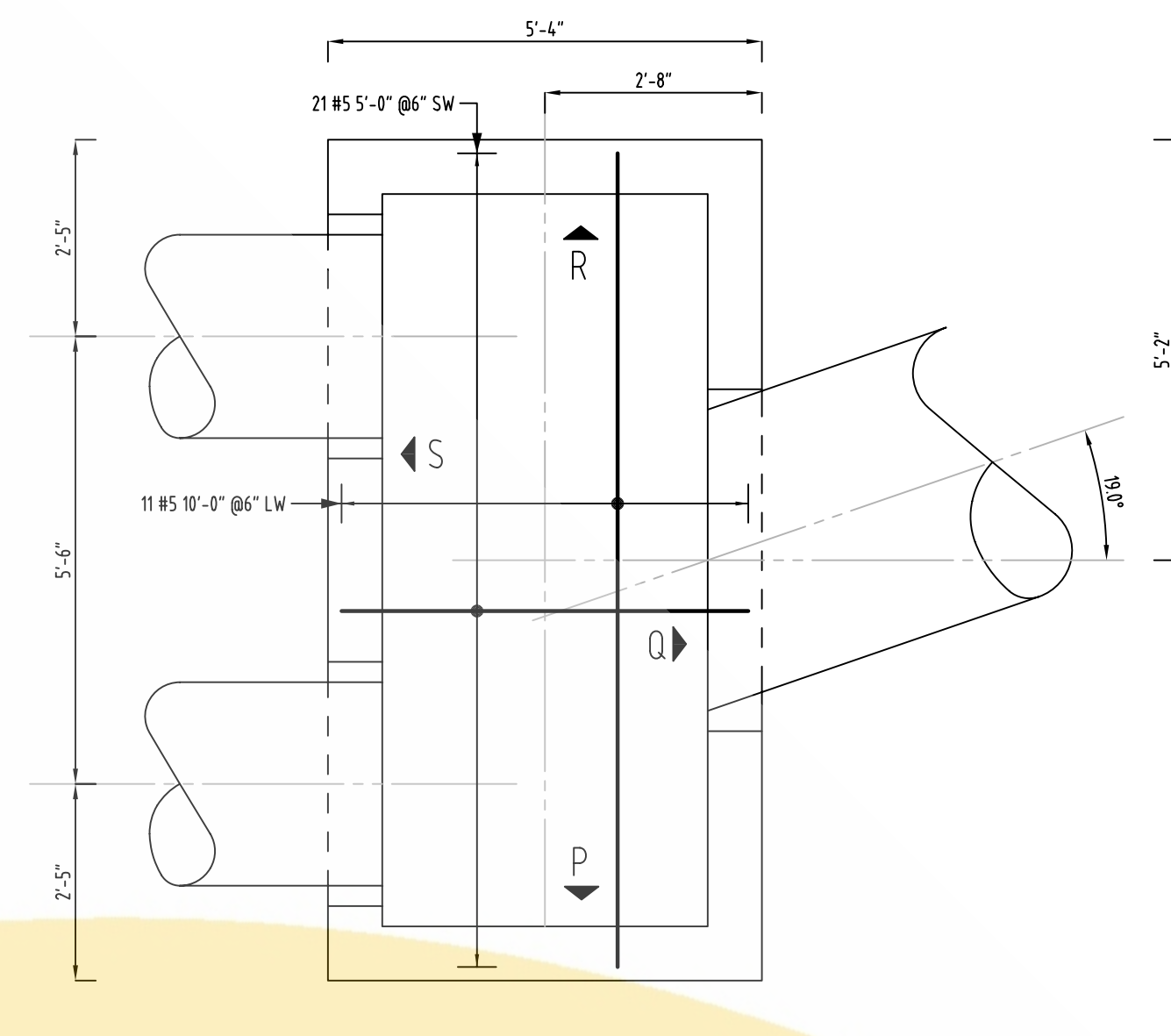
ELEVATION **Q**
SCALE: 1/2"=1'-0"
SDR: 20-CG-301



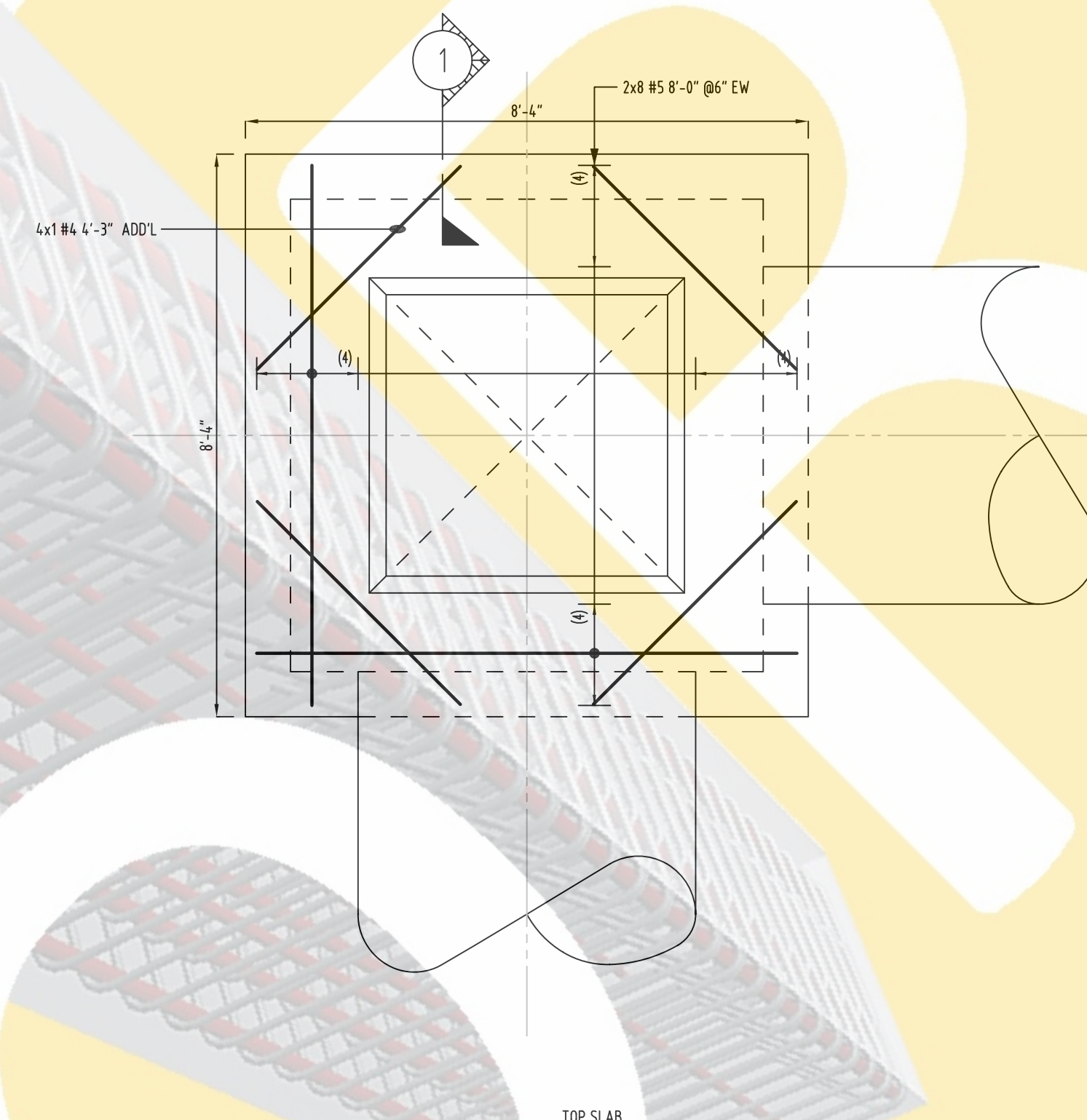
ELEVATION **S**
SCALE: 1/2"=1'-0"
SDR: 20-CG-301



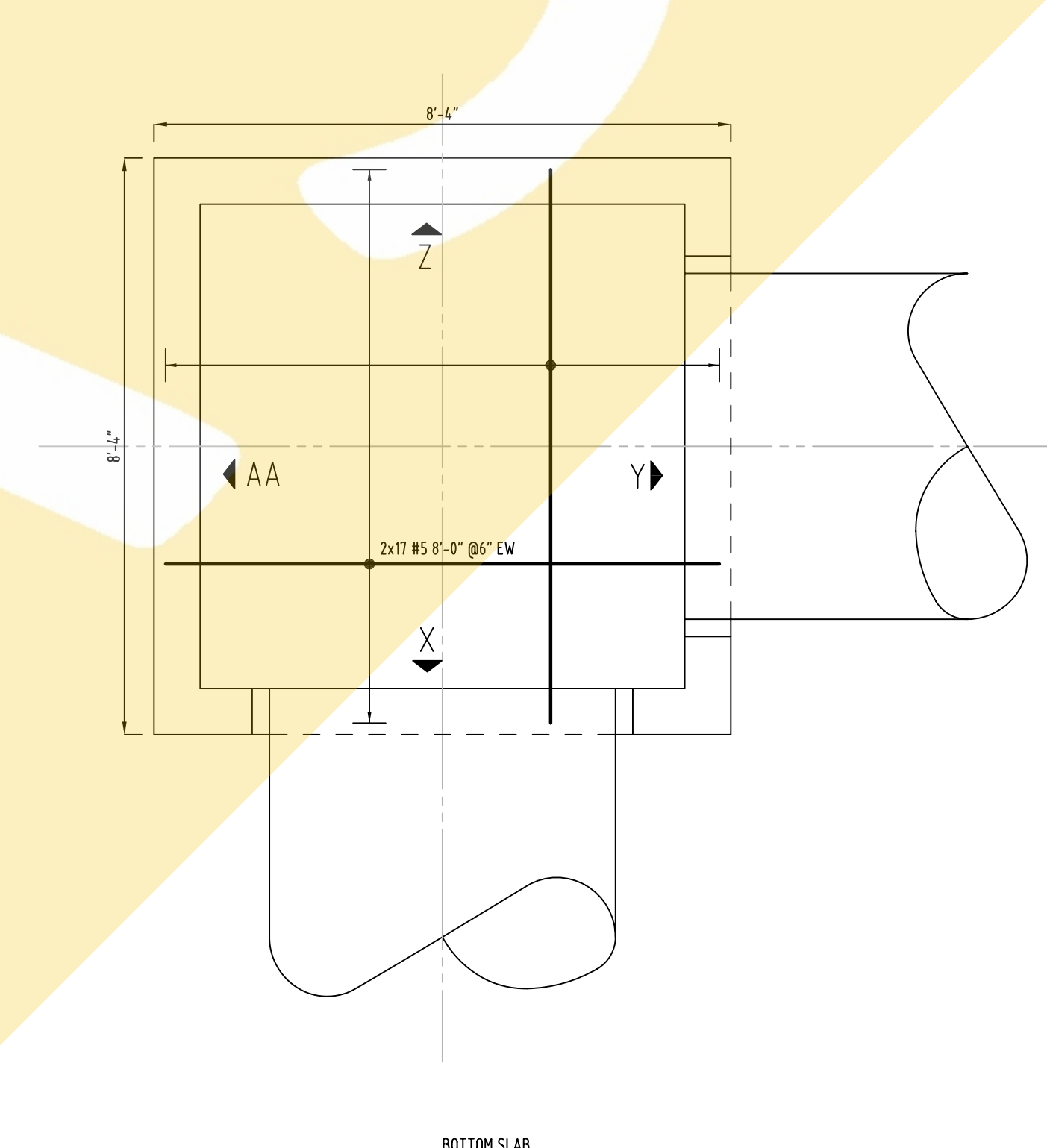
CC1 - JUNCTION REBAR LAYOUT
SCALE: 1/2"=1'-0"
SDR: 20-CG-301



CC1 - JUNCTION REBAR LAYOUT
SCALE: 1/2"=1'-0"
SDR: 20-CG-301

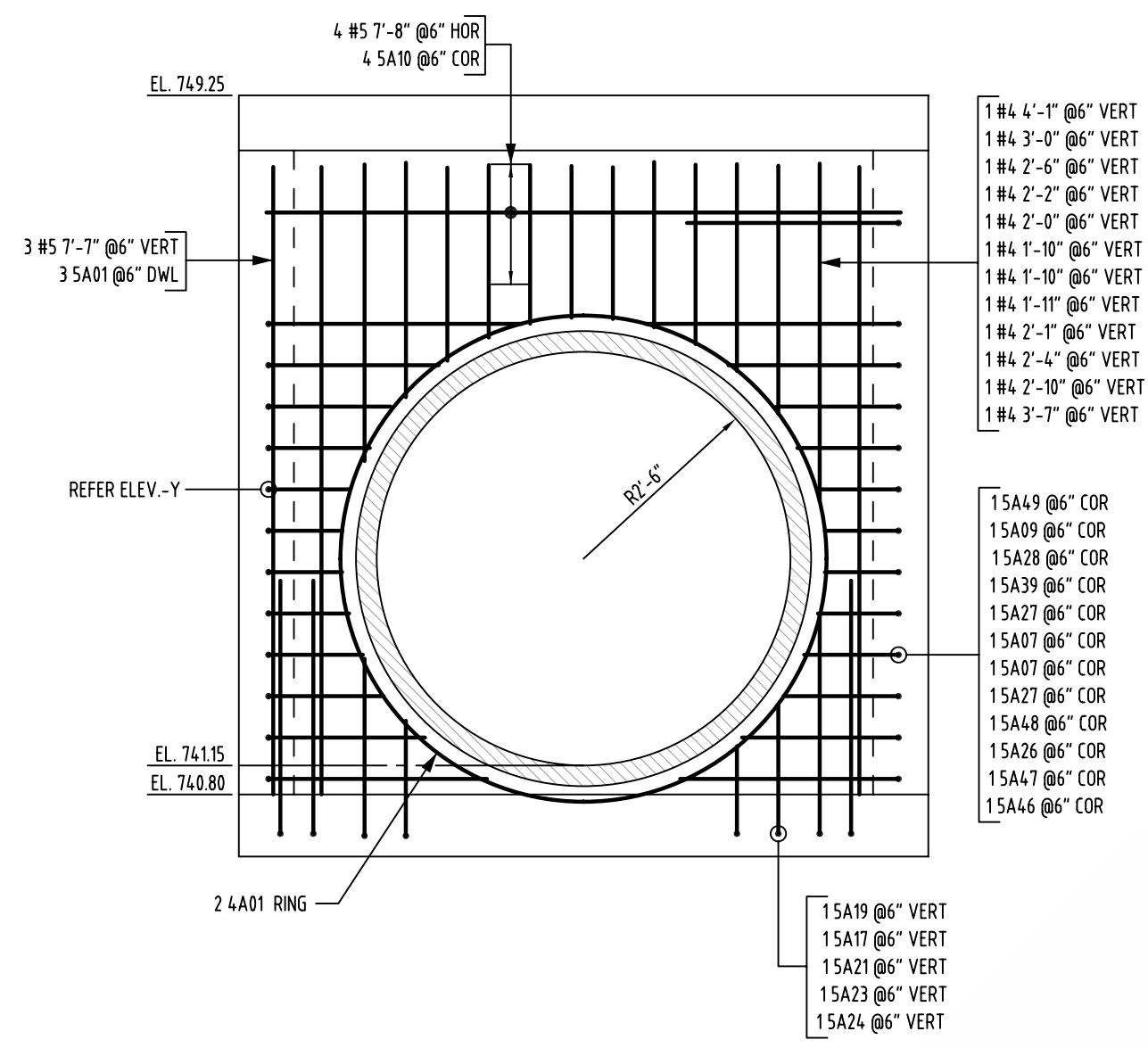


DD2 - JUNCTION REBAR LAYOUT
SCALE: 1/2"=1'-0"
SDR: 20-CG-302

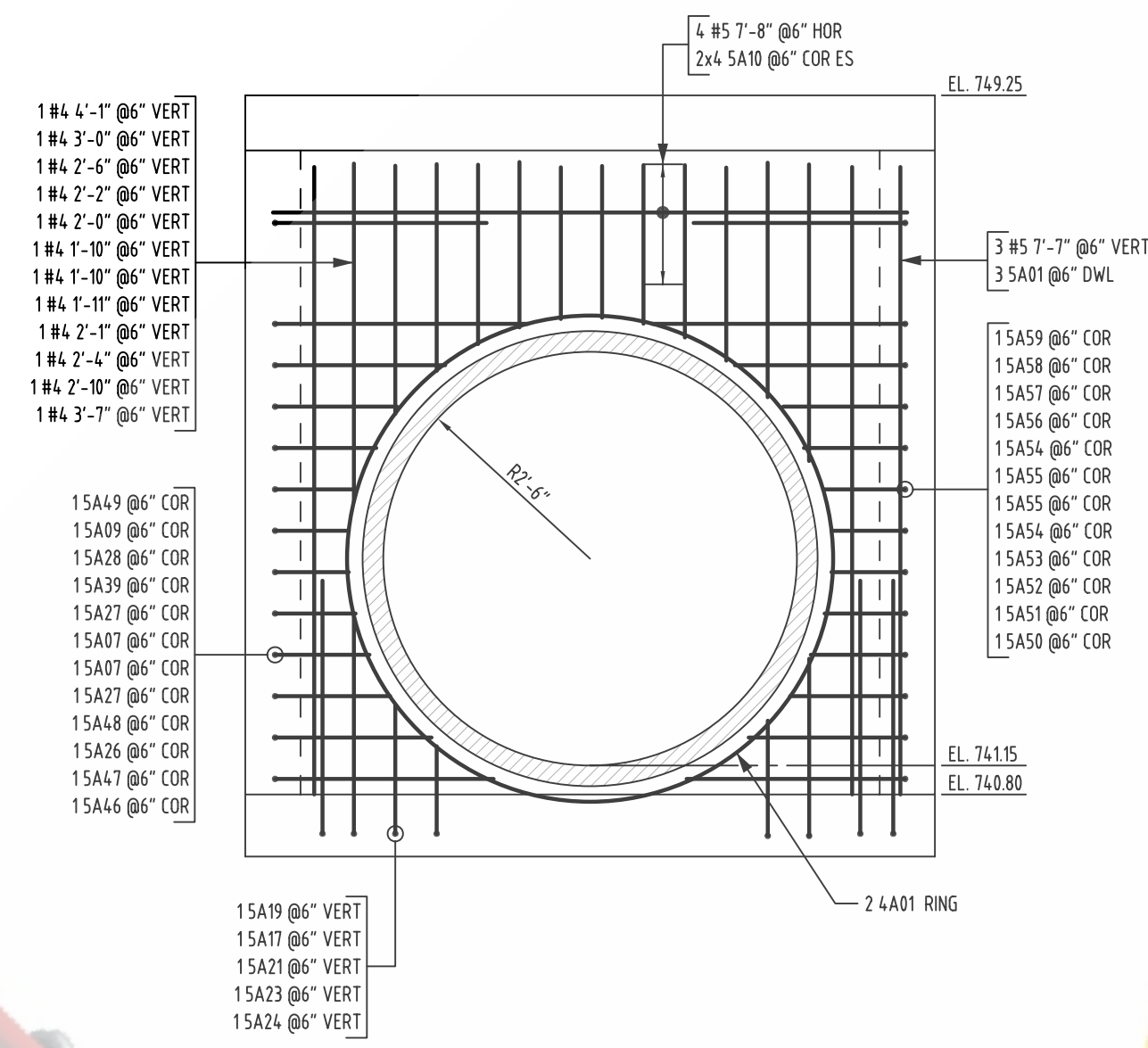


DD2 - JUNCTION REBAR LAYOUT
SCALE: 1/2"=1'-0"
SDR: 20-CG-302

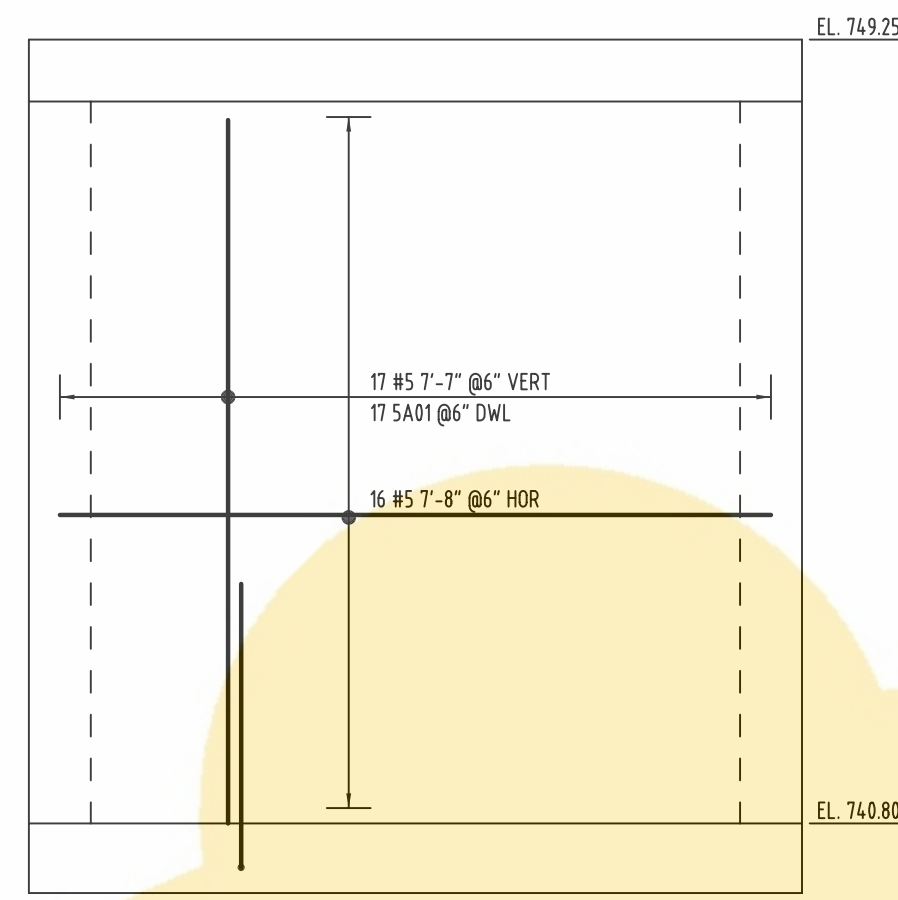
ONCE REBAR SERVICES



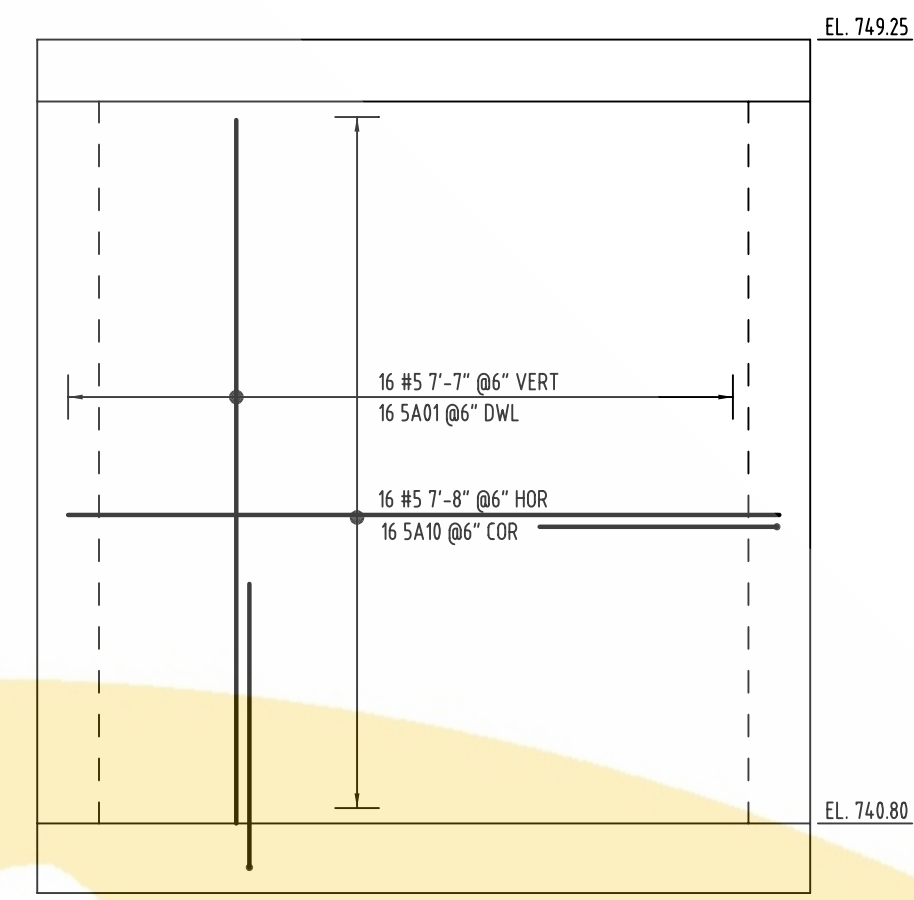
ELEVATION X
SCALE: 1/2"=1'-0"
SDR: 20-CG-302



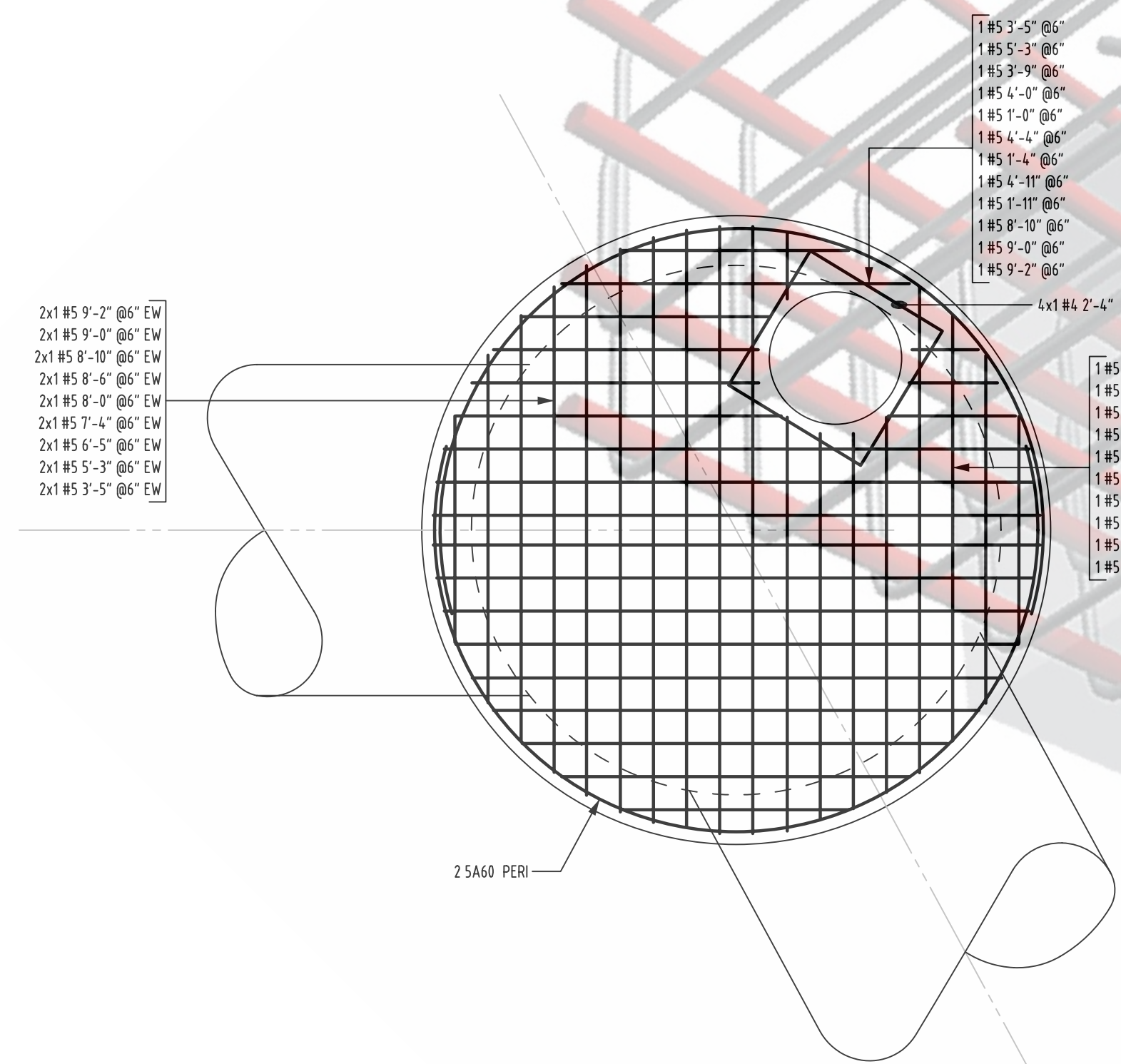
ELEVATION Y
SCALE: 1/2"=1'-0"
SDR: 20-CG-302



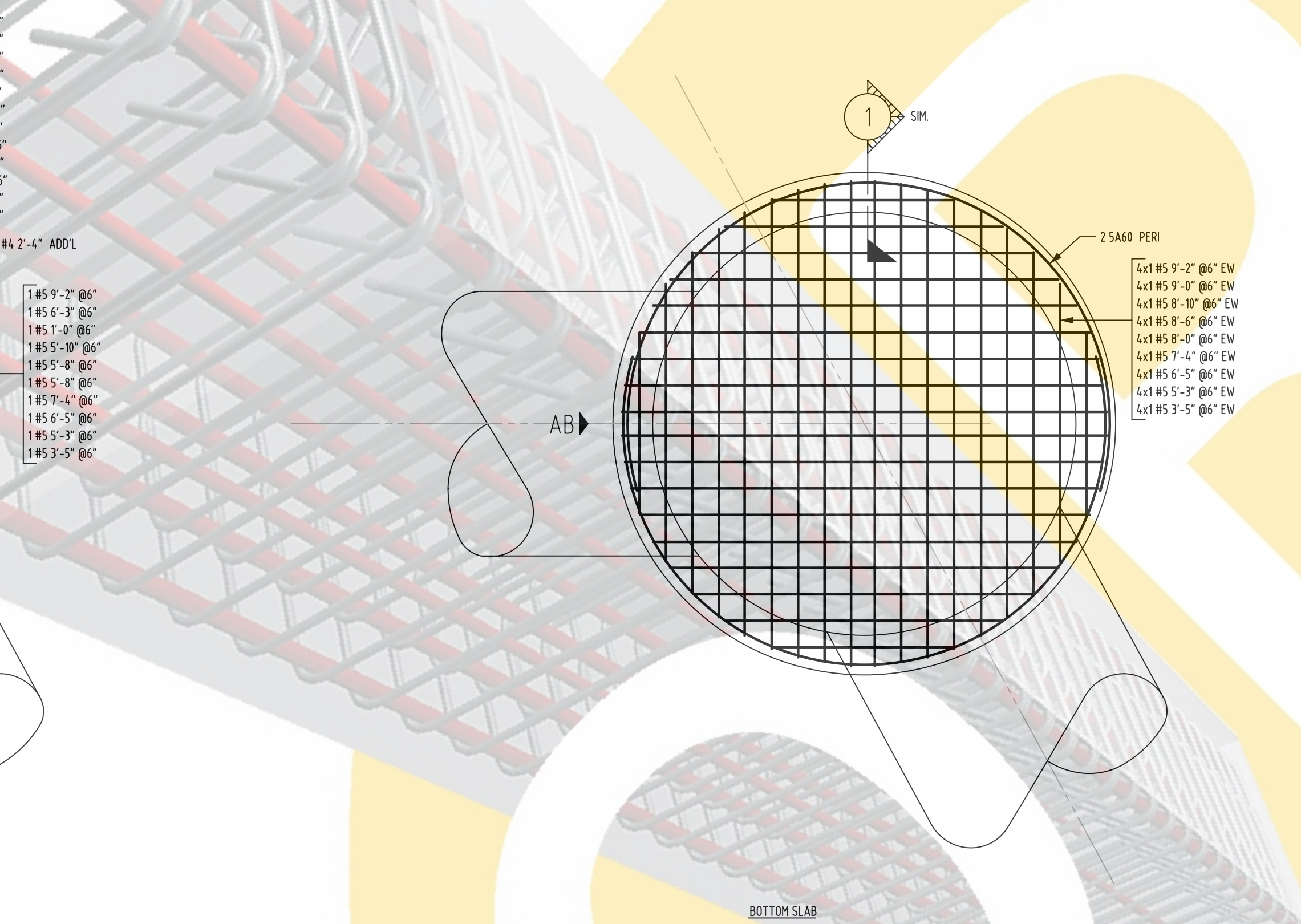
ELEVATION Z
SCALE: 1/2"=1'-0"
SDR: 20-CG-302



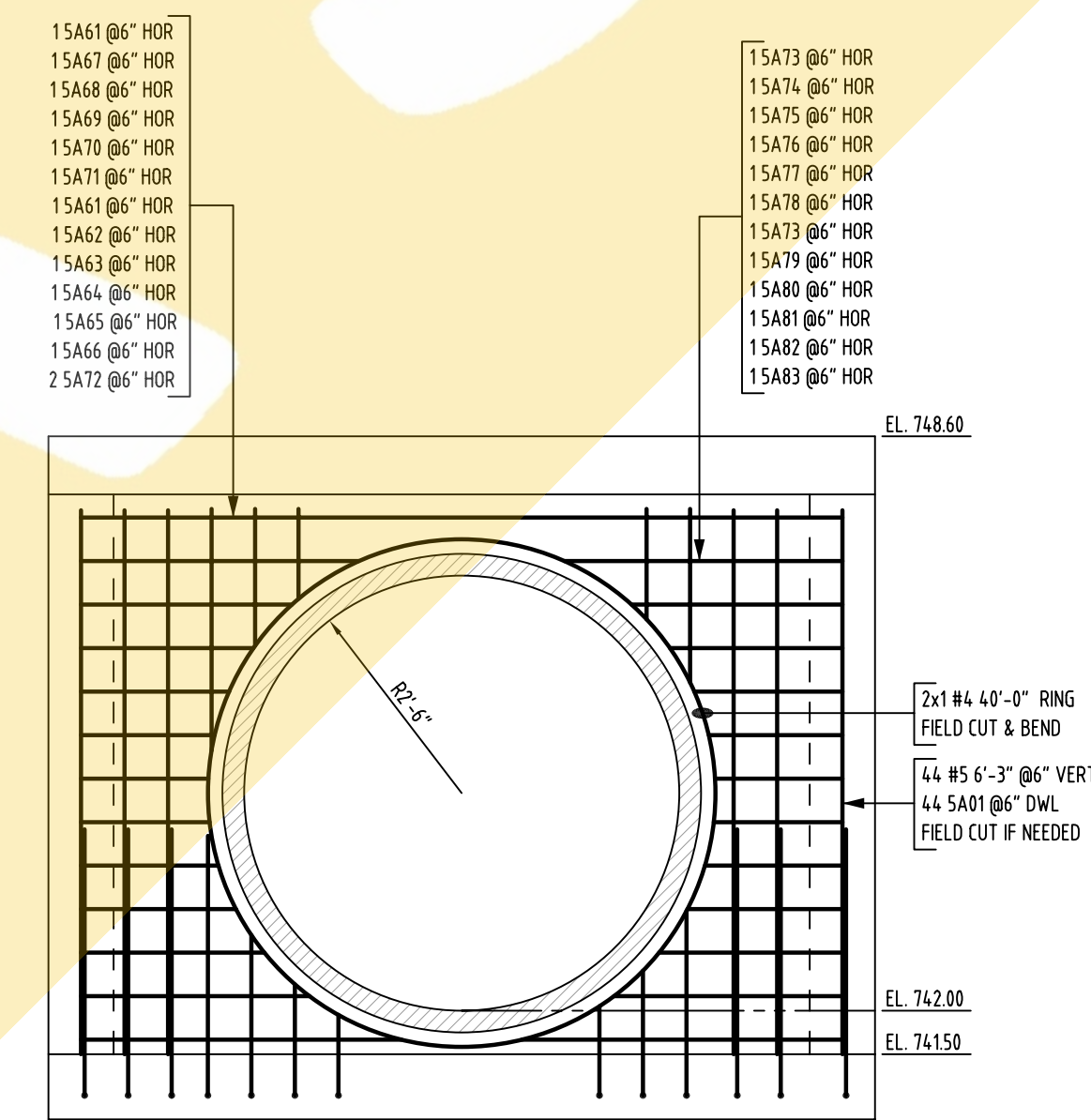
ELEVATION AA
SCALE: 1/2"=1'-0"
SDR: 20-CG-302



EXJ1 - JUNCTION REBAR LAYOUT
SCALE: 1/2"=1'-0"
SDR: 20-CG-302



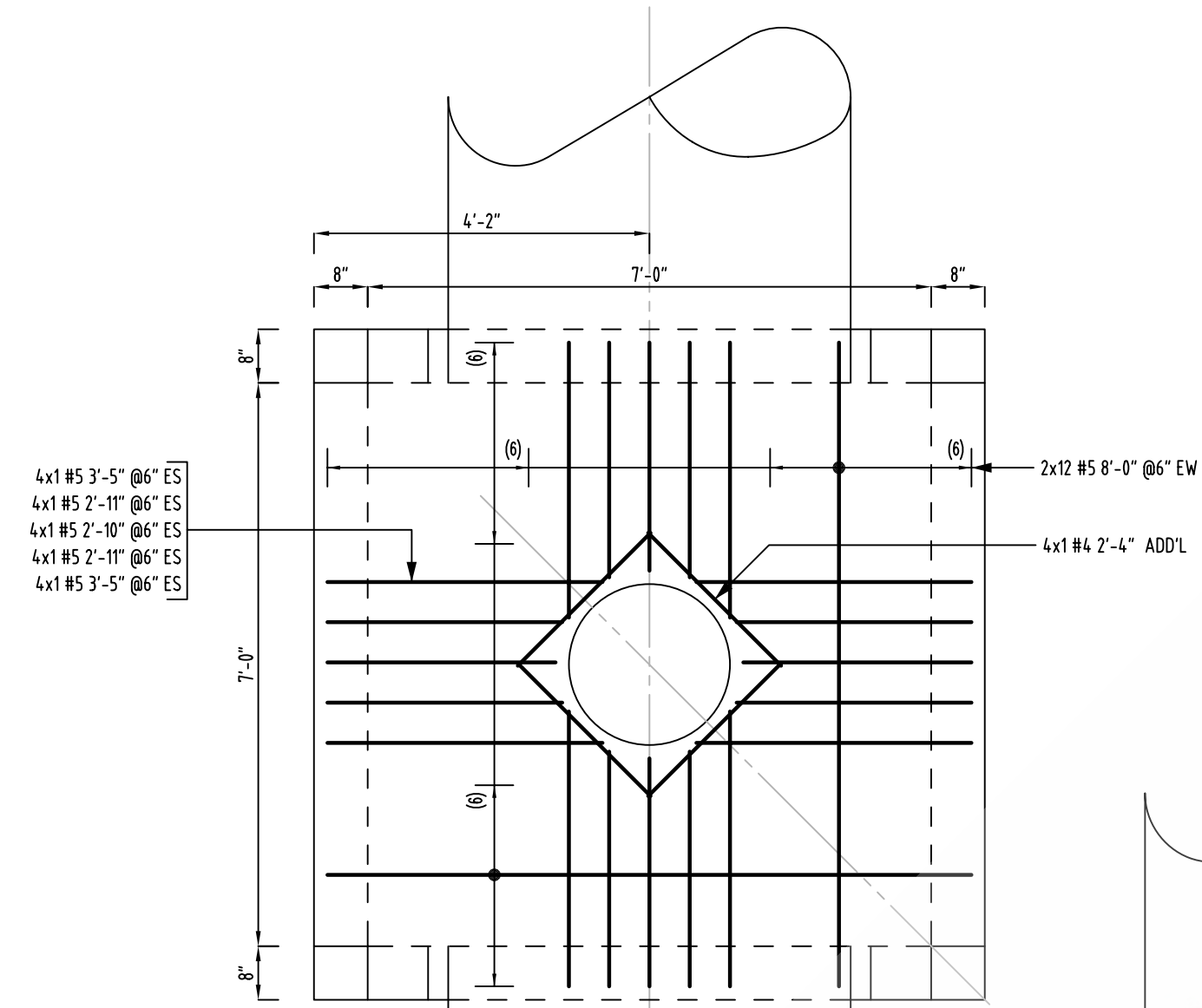
EXJ1 - JUNCTION REBAR LAYOUT
SCALE: 1/2"=1'-0"
SDR: 20-CG-302



ELEVATION AB
SCALE: 1/2"=1'-0"
SDR: 20-CG-302

ONCE REBAR SERVICES

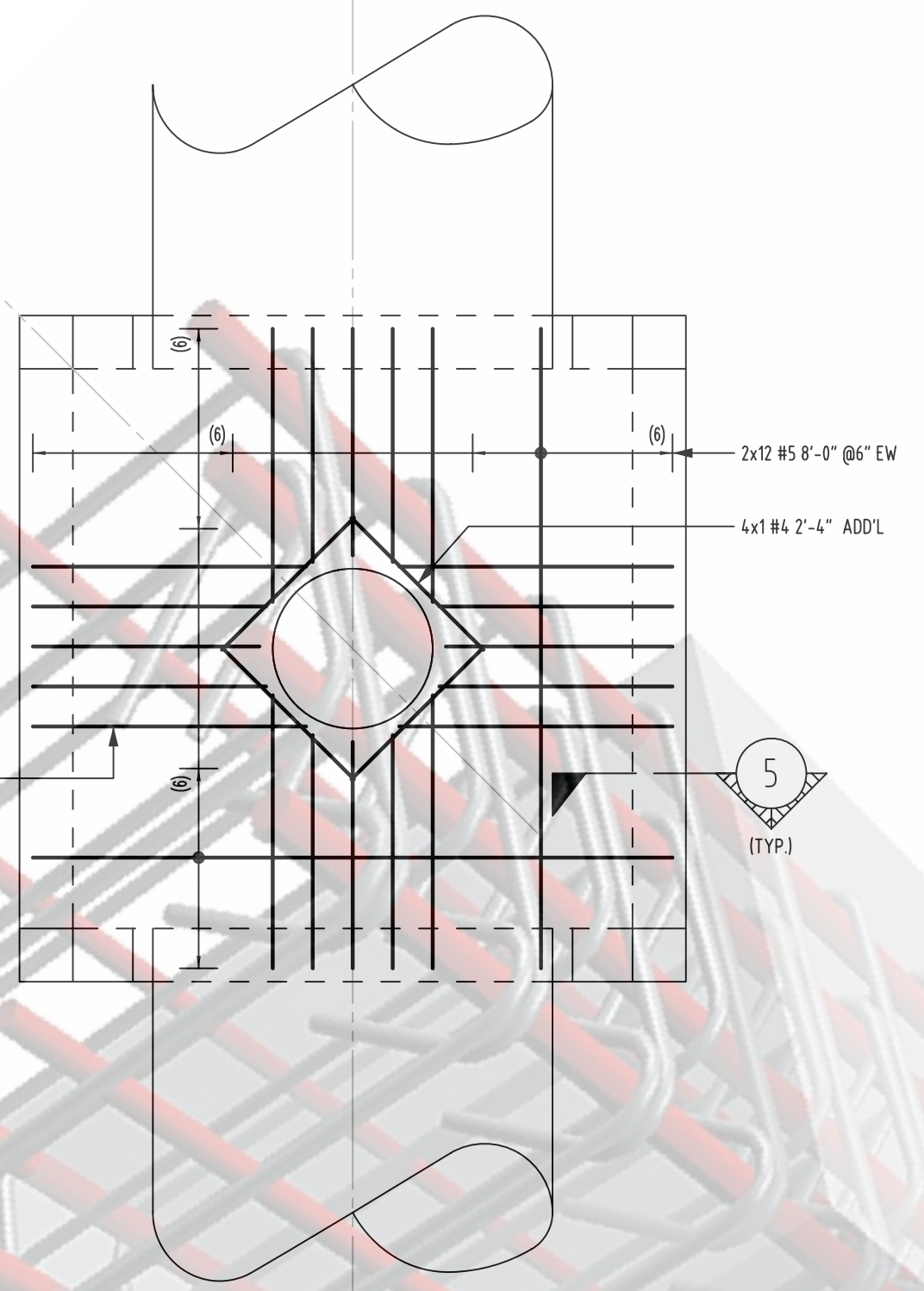
ONCE REBAR SERVICES



TOP SLAB

BB2 - JUNCTION REBAR LAYOUT

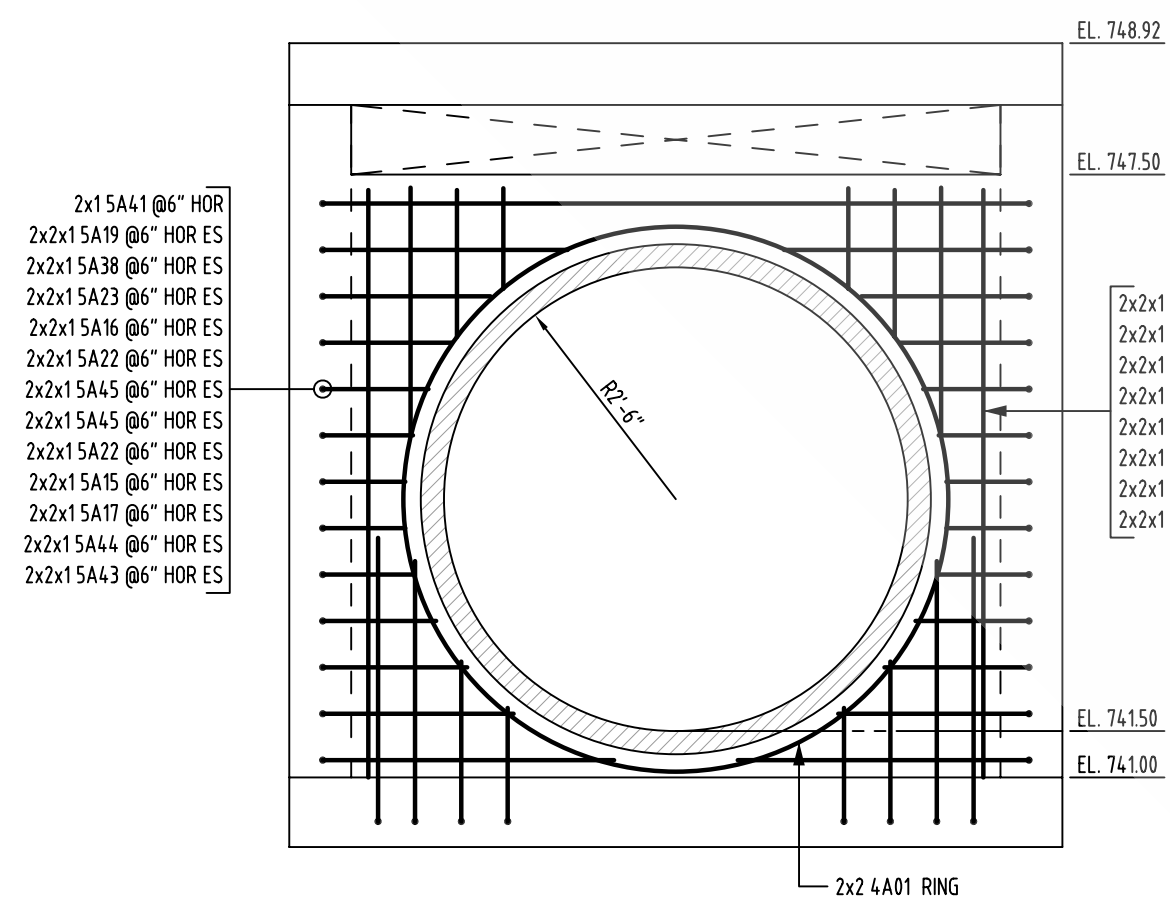
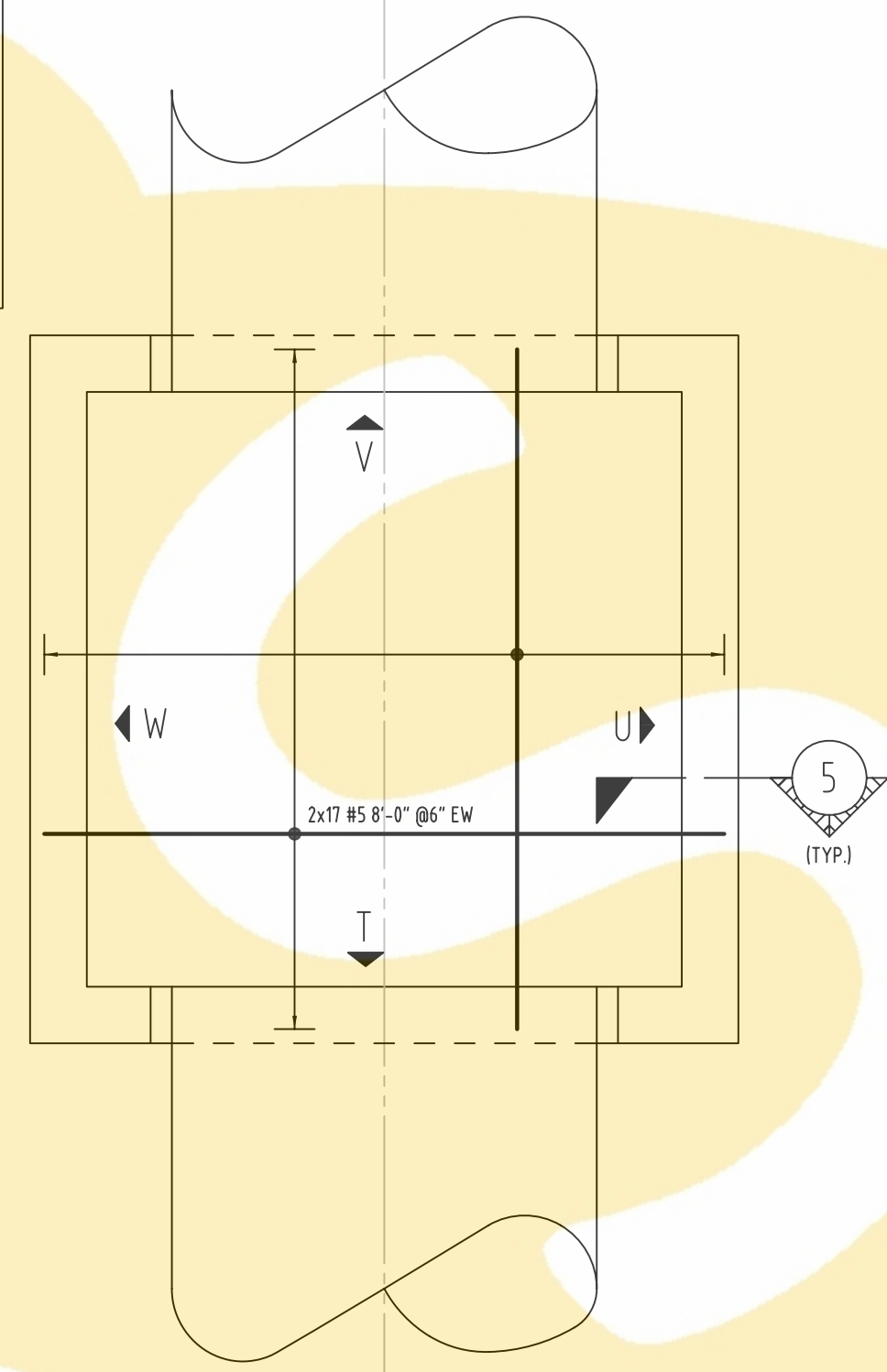
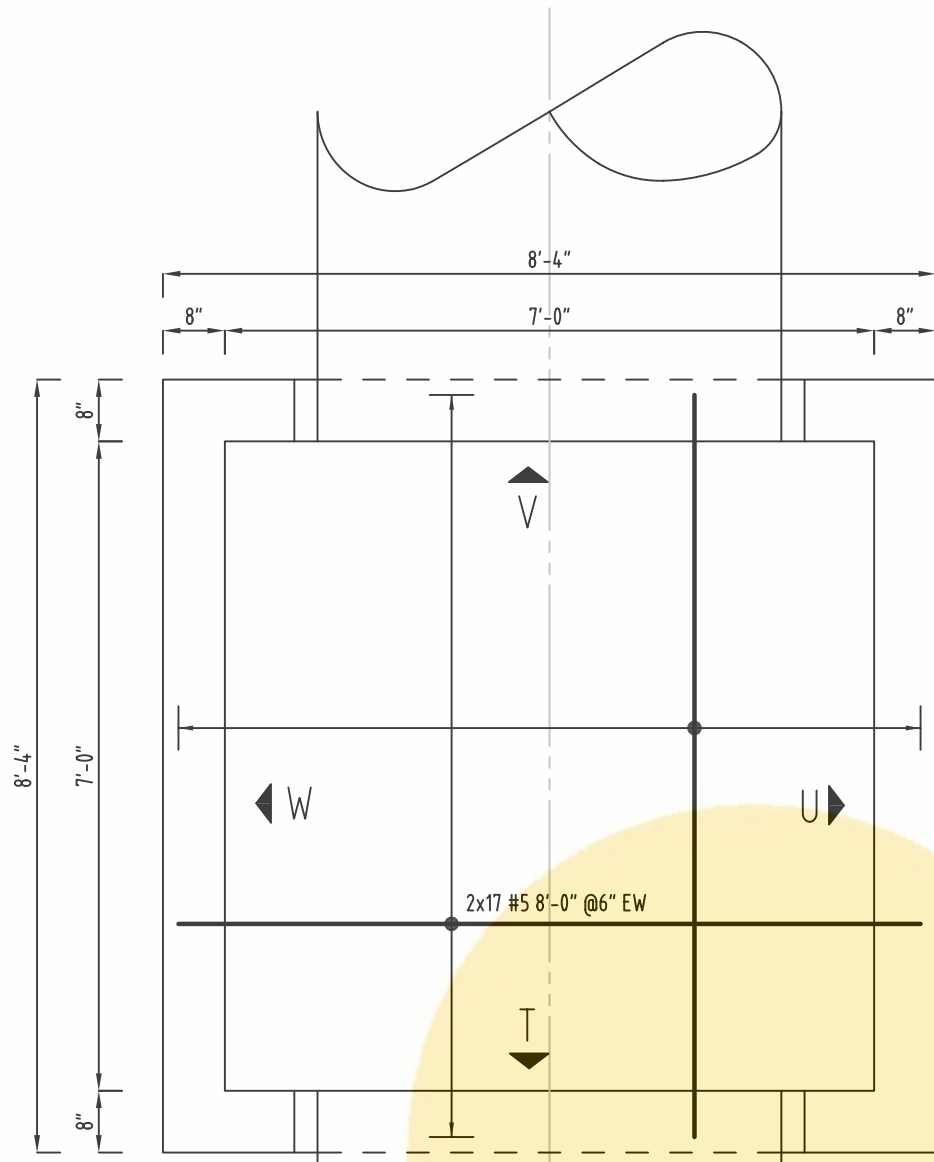
SCALE: 1/2"=1'-0"
SDR: 20-CG-302



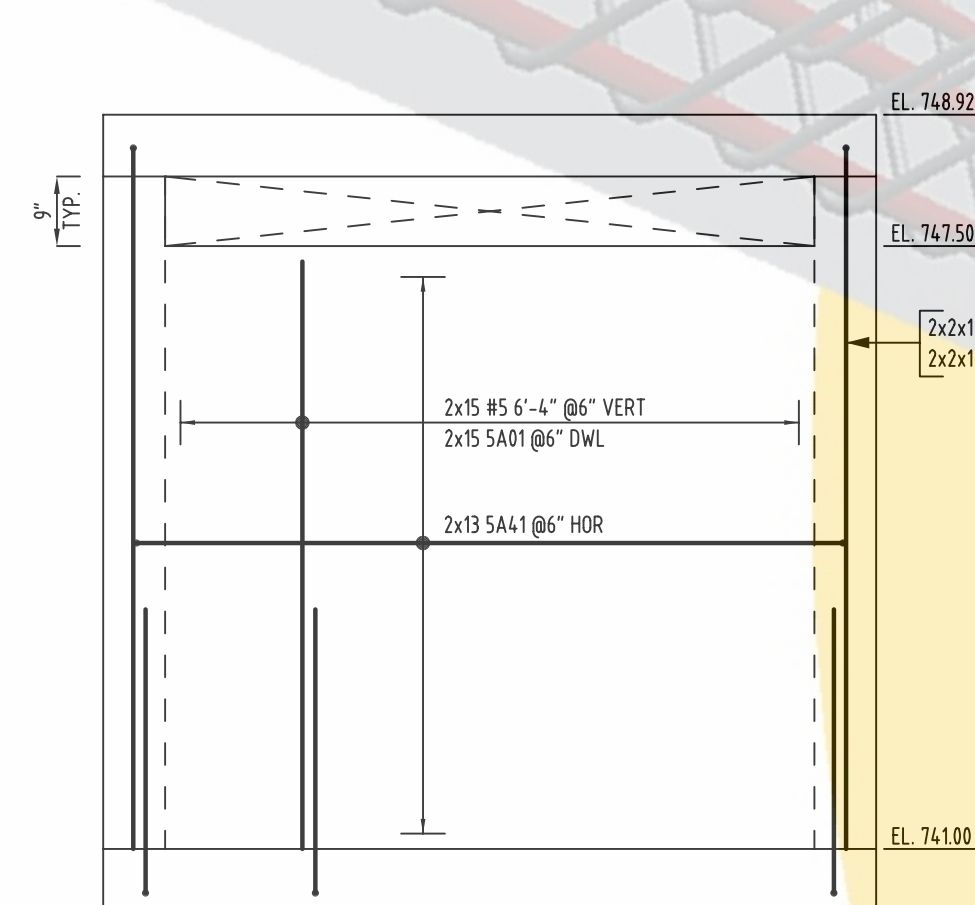
BOTTOM SLAB

BB2 - JUNCTION REBAR LAYOUT

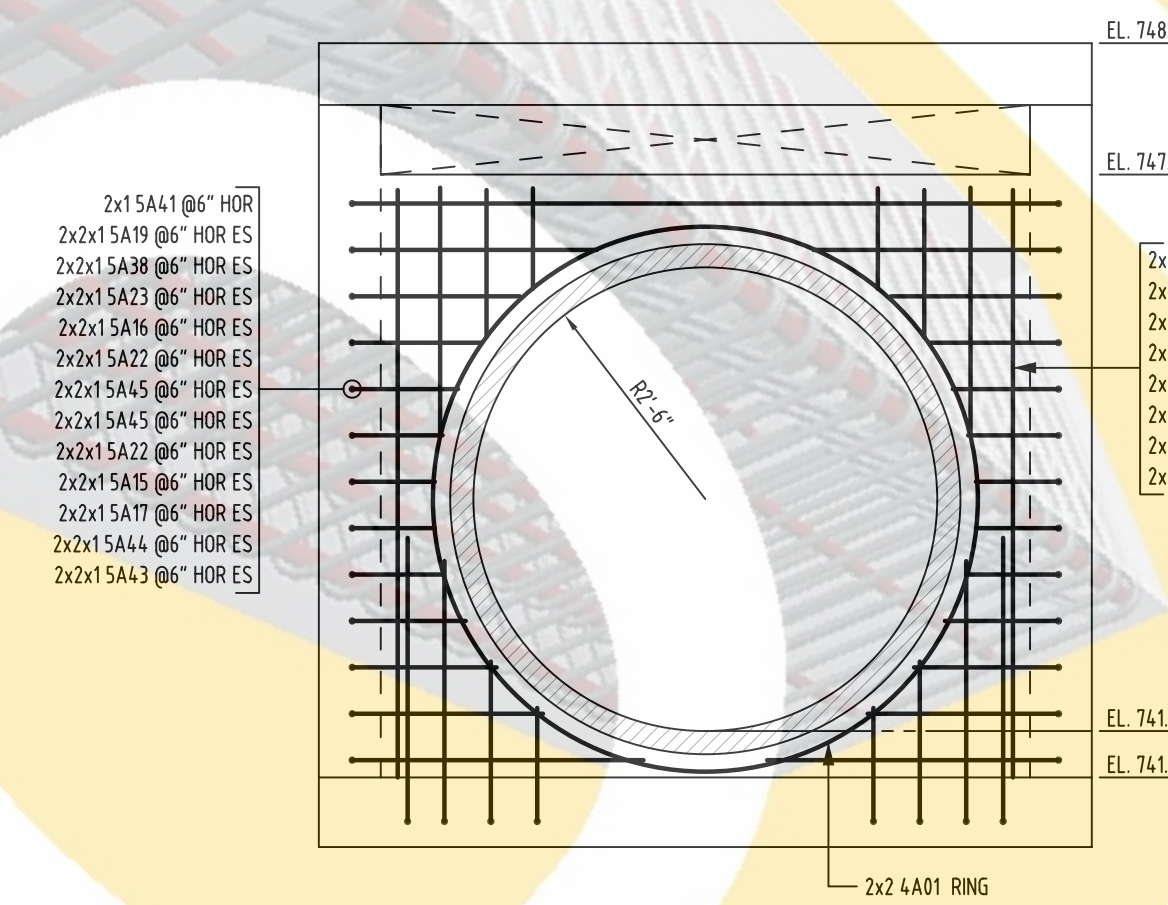
SCALE: 1/2"=1'-0"
SDR: 20-CG-302



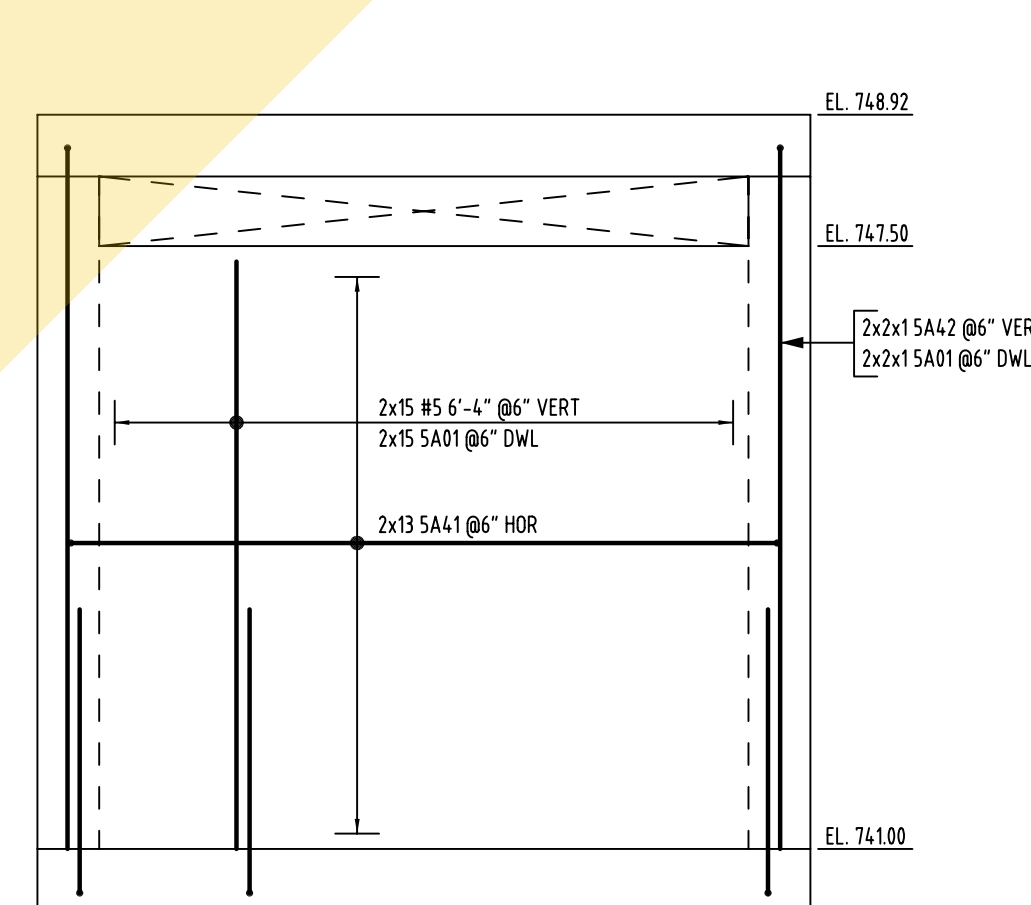
ELEVATION T
SCALE: 1/2"=1'-0"
SDR: 20-CG-302
(2-LOC.)



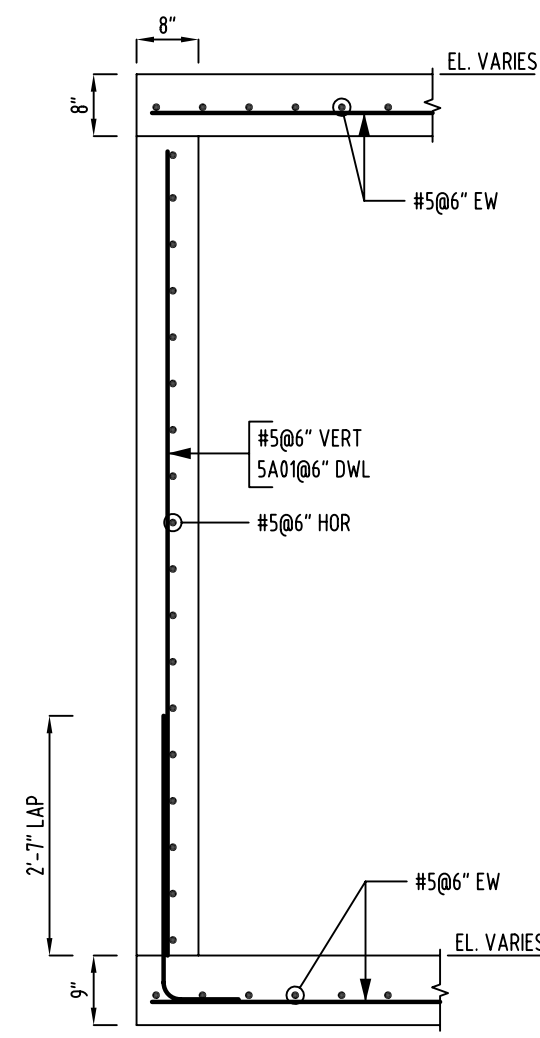
ELEVATION U
SCALE: 1/2"=1'-0"
SDR: 20-CG-302
(2-LOC.)



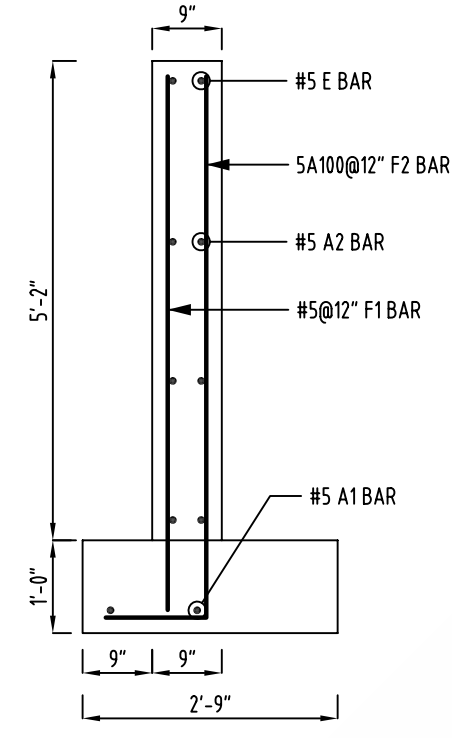
ELEVATION V
SCALE: 1/2"=1'-0"
SDR: 20-CG-302
(2-LOC.)



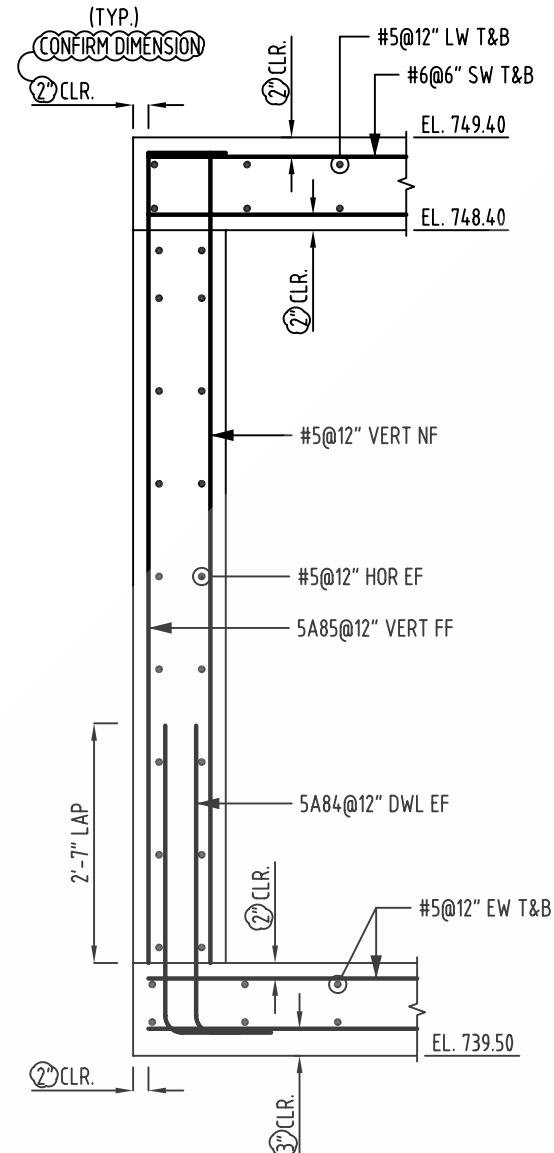
ELEVATION W
SCALE: 1/2"=1'-0"
SDR: 20-CG-302
(2-LOC.)



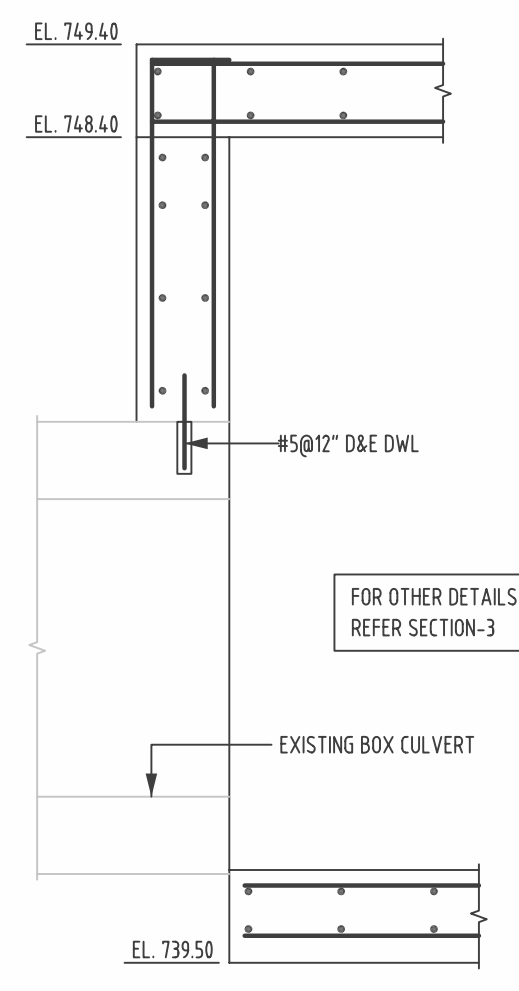
SECTION 1
SCALE: 1/2"=1'-0"
SDR: 20-CG-301



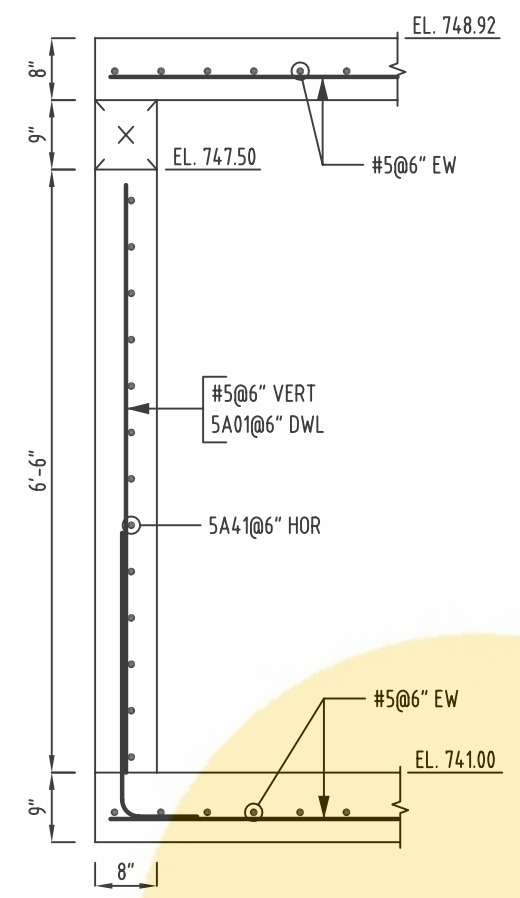
SECTION 2
SCALE: 1/2"=1'-0"
SDR: CG-509



SECTION 3
SCALE: 1/2"=1'-0"
SDR: 20-CG-303



SECTION 4
SCALE: 1/2"=1'-0"
SDR: 20-CG-303



SECTION 5
SCALE: 1/2"=1'-0"
SDR: 20-CG-302

ACCESSORIES

ELEMENTS	DESCRIPTION	SQ.FT\LFT\NOS	NOS/LFT
9" THICK SLAB (W2 - OUTLET)	3" PLASTIC PAVING CHAIRS @48" O.C	157 SQ.FT	10 NOS
8" THICK SLAB (W2 - OUTLET)	3" PLASTIC PAVING CHAIRS @48" O.C	147 SQ.FT	10 NOS
9" THICK SLAB (AA2 - JUNCTION)	3" PLASTIC PAVING CHAIRS @48" O.C	53 SQ.FT	4 NOS
8" THICK SLAB (AA2 - JUNCTION)	3" PLASTIC PAVING CHAIRS @48" O.C	37 SQ.FT	3 NOS
9" THICK SLAB (AA3 - JUNCTION)	3" PLASTIC PAVING CHAIRS @48" O.C	53 SQ.FT	4 NOS
8" THICK SLAB (AA3 - JUNCTION)	3" PLASTIC PAVING CHAIRS @48" O.C	37 SQ.FT	3 NOS
9" THICK SLAB (CC1 - JUNCTION)	3" PLASTIC PAVING CHAIRS @48" O.C	55 SQ.FT	4 NOS
8" THICK SLAB (CC1 - JUNCTION)	3" PLASTIC PAVING CHAIRS @48" O.C	52 SQ.FT	4 NOS
9" THICK SLAB (BB2 - JUNCTION)	3" PLASTIC PAVING CHAIRS @48" O.C	139 SQ.FT	9 NOS
8" THICK SLAB (BB2 - JUNCTION)	3" PLASTIC PAVING CHAIRS @48" O.C	133 SQ.FT	9 NOS
9" THICK SLAB (DD2 - JUNCTION)	3" PLASTIC PAVING CHAIRS @48" O.C	70 SQ.FT	5 NOS
8" THICK SLAB (DD2 - JUNCTION)	3" PLASTIC PAVING CHAIRS @48" O.C	48 SQ.FT	3 NOS
9" THICK SLAB (EXJ1 - JUNCTION)	3" PLASTIC PAVING CHAIRS @48" O.C	71 SQ.FT	5 NOS
8" THICK SLAB (EXJ1 - JUNCTION)	3" PLASTIC PAVING CHAIRS @48" O.C	68 SQ.FT	5 NOS
12" THICK SLAB (AA4 - OUTLET)	3" PLASTIC PAVING CHAIRS @48" O.C	708 SQ.FT	45 NOS
12" THICK SLAB (AA4 - OUTLET)	2" PLASTIC PAVING CHAIRS @48" O.C	686 SQ.FT	43 NOS

LAP SCHEDULE

SIZE	4000 PSI	
	TOP	OTHERS
#3	24	19
#4	32	25
#5	40	31
#6	48	37
#7	70	54
#8	80	62

ONCE REBAR SERVICES

Release Number: R1.01-R1.11				BENDING DETAILS												
Bar Mark	Qty	Size	Total Length	Type	'A'	'B'	'C'	'D'	'E'	'F'	'G'	'H'	'J'	'K'	'O'	'R'
4A01	22	#4	20'-8"	T3			18'-7"				2'-1"				5'-11"	
4A02	18	#4	14'-4 1/2"	T3			12'-3 1/2"				2'-1"				3'-11"	
4A03	4	#4	12'-9 1/2"	T3			10'-8 1/2"				2'-1"				3'-5"	
4A04	2	#4	15'-11 1/2"	T3			13'-10 1/2"				2'-1"				4'-5"	
4A05	45	#4	4'-5"	25		1'-6"	0'-4 1/2"	0'-8"	0'-4 1/2"	1'-6"		0'-4 1/2"		0'-2 1/4"		
4A06	45	#4	4'-7"	25		1'-6"	0'-5 1/2"	0'-8"	0'-5 1/2"	1'-6"		0'-5 1/2"		0'-2 3/4"		
4A07	4	#4	22'-2 1/2"	T3			20'-1 1/2"				2'-1"				6'-5"	
4A08	2	#4	17'-6 1/2"	T3			15'-5 1/2"				2'-1"				4'-11"	
5A01	294	#5	3'-11"	2	0'-10"	3'-1"										
5A02	1	#5	5'-5"	17		2'-10"	2'-7"									
5A03	1	#5	4'-3"	17		1'-8"	2'-7"									
5A04	15	#5	3'-1"	17		0'-6"	2'-7"									
5A05	20	#5	3'-0"	17		0'-5"	2'-7"									
5A06	5	#5	3'-3"	17		0'-8"	2'-7"									
5A07	8	#5	3'-6"	17		0'-11"	2'-7"									
5A08	5	#5	3'-11"	17		1'-4"	2'-7"									
5A09	3	#5	4'-8"	17		2'-1"	2'-7"									
5A10	142	#5	5'-2"	17		2'-7"	2'-7"									
5A11	1	#5	3'-8"	17		1'-1"	2'-7"									
5A12	5	#5	3'-4"	17		0'-9"	2'-7"									
5A13	11	#5	3'-8"	2	0'-10"	2'-10"										
5A14	11	#5	2'-7"	2	0'-10"	1'-9"										
5A15	17	#5	2'-1"	2	0'-10"	1'-3"										
5A16	13	#5	2'-0"	2	0'-10"	1'-2"										
5A17	23	#5	2'-5"	2	0'-10"	1'-7"										
5A18	15	#5	3'-2"	2	0'-10"	2'-4"										
5A19	13	#5	3'-6"	2	0'-10"	2'-8"										
5A20	8	#5	2'-6"	2	0'-10"	1'-8"										
5A21	7	#5	1'-11"	2	0'-10"	1'-1"										
5A22	19	#5	1'-10"	2	0'-10"	1'-0"										
5A23	12	#5	2'-3"	2	0'-10"	1'-5"										
5A24	6	#5	3'-0"	2	0'-10"	2'-2"										
5A25	1	#5	4'-11"	17		2'-4"	2'-7"									
5A26	6	#5	4'-0"	17		1'-5"	2'-7"									
5A27	10	#5	3'-7"	17		1'-0"	2'-7"									
5A28	5	#5	4'-1"	17		1'-6"	2'-7"									
5A29	1	#5	5'-0"	17		2'-5"	2'-7"									
5A30	5	#5	5'-0"	2	0'-10"	4'-2"										
5A31	7	#5	4'-4"	17		1'-9"	2'-7"									
5A32	7	#5	3'-2"	17		0'-7"	2'-7"									
5A33	5	#5	3'-5"	17		0'-10"	2'-7"									
5A34	9	#5	2'-9"	2	0'-10"	1'-11"										
5A35	36	#5	5'-11"	2	0'-10"	5'-1"										
5A36	5	#5	3'-7"	2	0'-10"	2'-9"										
5A37	7	#5	2'-10"	2	0'-10"	2'-0"										
5A38	12	#5	2'-8"	2	0'-10"	1'-10"										
5A39	4	#5	3'-10"	17		1'-3"	2'-7"									
5A40	1	#5	2'-2"	2	0'-10"	1'-4"										
5A41	56	#5	9'-4"	2	0'-10"	7'-8"				0'-10"						
5A42	8	#5	8'-5"	2	0'-10"	7'-7"										
5A43	9	#5	4'-0"	2	0'-10"	3'-2"										
5A44	9	#5	2'-11"	2	0'-10"	2'-1"										
5A45	16	#5	1'-9"	2	0'-10"	0'-11"										
5A46	2	#5	5'-3"	17		2'-8"	2'-7"									
5A47	2	#5	4'-6"	17		1'-11"	2'-7"									
5A48	2	#5	3'-9"	17		1'-2"	2'-7"									
5A49	2	#5	5'-8"	17		3'-1"	2'-7"									
5A50	1	#5	5'-4"	17		2'-8"	2'-8"									
5A51	1	#5	3'-10"	17		1'-11"	1'-11"									
5A52	1	#5	2'-10"	17		1'-5"	1'-5"									
5A53	1	#5	2'-4"	17		1'-2"	1'-2"									
5A54	2	#5	2'-0"	17		1'-0"	1'-0"									
5A55	2	#5	1'-10"	17		0'-11"	0'-11"									
5A56	1	#5	2'-6"	17		1'-3"	1'-3"									
5A57	1	#5	3'-0"	17		1'-6"	1'-6"									
5A58	1	#5	4'-2"	17		2'-1"	2'-1"									

Release Number: R1.01-R1.11				BENDING DETAILS												
Bar Mark	Qty	Size	Total Length	Type	'A'	'B'	'C'	'D'	'E'	'F'	'G'	'H'	'J'	'K'	'O'	'R'
5A59	1	#5	6'-2"	17			3'-1"	3'-1"								
5A60	4	#5	16'-10 1/2"	9		16'-10 1/2"						5'-10 1/2"			8'-9 1/2"	4'-7"
5A61	2	#5	12'-8 1/2"	9		12'-8 1/2"						3'-10 1/2"			8'-8 1/2"	4'-4 1/2"
5A62	1	#5	12'-10 1/2"	9		12'-10 1/2"						3'-11 1/2"			8'-8 1/2"	4'-4 1/2"
5A63	1	#5	13'-2 1/2"	9		13'-2 1/2"						4'-1 1/2"			8'-8 1/2"	4'-4 1/2"
5A64	1	#5	13'-8 1/2"	9		13'-8 1/2"						4'-4 1/2"			8'-9"	4'-4 1/2"
5A65	1	#5	14'-5 1/2"	9		14'-5 1/2"						4'-9 1/2"			8'-8 1/2"	4'-4 1/2"
5A66	1	#5	15'-11 1/2"	9		15'-11 1/2"						5'-6"			8'-5 1/2"	4'-4 1/2"
5A67	1	#5	12'-11 1/2"	9		12'-11 1/2"						3'-11 1/2"			8'-8 1/2"	4'-4 1/2"
5A68	1	#5	13'-4 1/2"	9		13'-4 1/2"						4'-2 1/2"			8'-8 1/2"	4'-4 1/2"
5A69	1	#5	13'-11"	9		13'-11"						4'-6"			8'-8 1/2"	4'-4 1/2"
5A70	1	#5	14'-10 1/2"	9		14'-10 1/2"						5'-0"			8'-7 1/2"	4'-4 1/2"
5A71	1	#5	17'-0 1/2"	9		17'-0 1/2"						6'-0 1/2"			8'-1"	4'-4 1/2"
5A72	2	#5	16'-2 1/2"	9		16'-2 1/2"						5'-7 1/2"			8'-4 1/2"	4'-4 1/2"
5A73	2	#5	3'-3 1/2"	9		3'-3 1/2"						0'-4 1/2"			3'-2 1/2"	4'-4 1/2"
5A74	1	#5	3'-5 1/2"	9		3'-5 1/2"						0'-4 1/2"			3'-4 1/2"	4'-4 1/2"
5A75	1	#5	3'-9 1/2"	9		3'-9 1/2"						0'-5 1/2"			3'-8 1/2"	4'-4 1/2"
5A76	1	#5	4'-3 1/2"	9		4'-3 1/2"						0'-6 1/2"			4'-1 1/2"	4'-4 1/2"
5A77	1	#5	5'-1 1/2"	9		5'-1 1/2"						0'-9 1/2"			4'-10 1/2"	4'-4 1/2"
5A78	1	#5	6'-7 1/2"	9		6'-7 1/2"						1'-2 1/2"			6'-0 1/2"	4'-4 1/2"
5A79	1	#5	3'-6 1/2"	9		3'-6 1/2"						0'-4 1/2"			3'-5 1/2"	4'-4 1/2"
5A80	1	#5	3'-11 1/2"	9		3'-11 1/2"						0'-5 1/2"			3'-10"	4'-4 1/2"
5A81	1	#5	4'-7 1/2"	9		4'-7 1/2"						0'-7 1/2"			4'-5"	4'-4 1/2"
5A82	1	#5	5'-8 1/2"	9		5'-8 1/2"						0'-11"			5'-3 1/2"	4'-4 1/2"
5A83	1	#5	7'-9 1/2"	9		7'-9 1/2"						1'-7 1/2"			6'-9 1/2"	4'-4 1/2"
5A84	192	#5	4'-2"	2	0'-10"	3'-4"										
5A85	68	#5	9'-7"	2	0'-10"	8'-9"										
5A86	1	#5	6'-2"	2	0'-10"	5'-4"										
5A87	2	#5	5'-5"	2	0'-10"	4'-7"										
5A88	1	#5	6'-0"	2	0'-10"	5'-2"										
5A89	1	#5	5'-7"	2	0'-10"	4'-9"										
5A90	1	#5	5'-4"	2	0'-10"	4'-6"										
5A91	1	#5	5'-8"	2	0'-10"	4'-10"										
5A92	4	#5	3'-4"	2	0'-10"	2'-6"										
5A93	2	#5	3'-1"	2	0'-10"	2'-3"										
5A94	1	#5	5'-1"	2	0'-10"	4'-3"										
5A95	2	#5	4'-8"	2	0'-10"	3'-10"										
5A96	1	#5	5'-2"	2	0'-10"	4'-4"										
5A97	1	#5	4'-3"	2	0'-10"	3'-5"										
5A98	1	#5	4'-1"	2	0'-10"	3'-3"										
5A99	21	#5	4'-7"	2	0'-10"	3'-9"										
5A100	31	#5	6'-11"	17		1'-1"	5'-10"									
5A101	2	#5	3'-4"	17		1'-1"	2'-3"									
5A102	2	#5	3'-9"	17		1'-1"	2'-8"									
5A103	1	#5	3'-1"	17		1'-1"	2'-0"									
5A104	1	#5	2'-7"	17		1'-1"	1'-6"									
5A105	1	#5	2'-10"	17		1'-1"	1'-9"									
5A106	1	#5	2'-8"	17		1'-1"	1'-7"									